

Main Features

- Wetted parts stainless steel 1.4571 (316Ti) and 1.4435 (316L)
- Standard connection for the paper industry

Applications

- Paper industry

Description

This diaphragm seals are used to protect pressure gauges from high temperatures, aggressive or corrosive fluids.

They avoid that the medium flows into the instrument, where deposits could be built and generate wrong measurements or pollution of the process.

Chemical seals can be mounted to mechanical pressure gauges, switches or transmitters directly or with a cooling element. The filling fluid of the measuring system has to be chosen compatible to the application.

Process connection	Specific flange connection for the paper industry
Pressure ranges	0 ... 1.6 bar to 0 ... 40 bar
Body material	Stainless Steel 1.4571 (316Ti)
Diaphragm	Stainless Steel 1.4435 (316L)
Fixing flange	Stainless Steel 1.4301 (304)
Working temperature	-20 ... 80 °C
Gasket	NBR
Filling fluids	LRS7: Glycerine (-20 ... +80 °C) Other filling fluids on request
Ordering code	Standard version 1020 Long version 1022

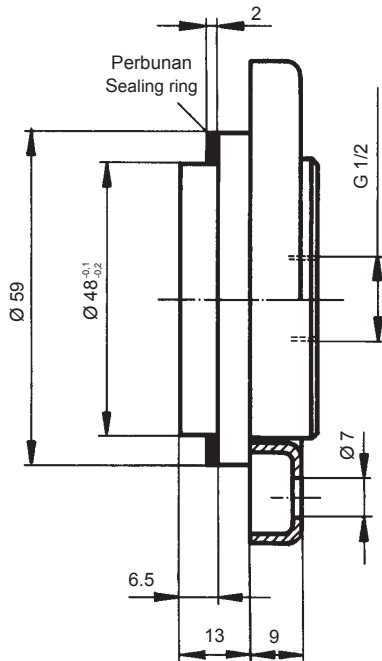
Spare parts / accessories

Description	Part no.
Welding flange 1.4301 (304)	10329804
Gasket 59 x 48 x 2, NBR	10329751
Mounting set: - welding flange 1.4301 (304) - Gasket 59 x 48 x 2, NBR - 6 bolts M6 x 20 DIN 933, Stainless Steel	10325462

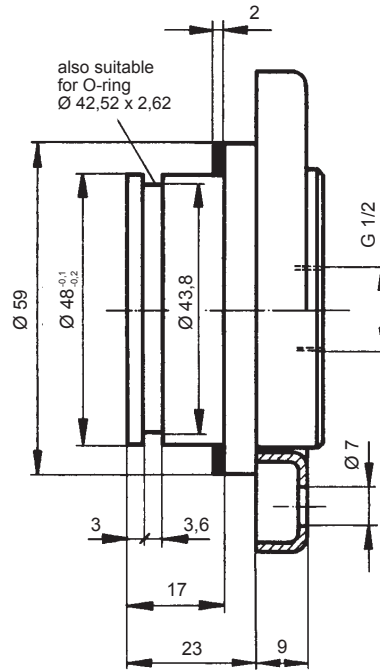
The gasket is included in the delivery of the diaphragm seal.
The welding flange and the bolts are not included and have to be ordered separately.

Dimensions

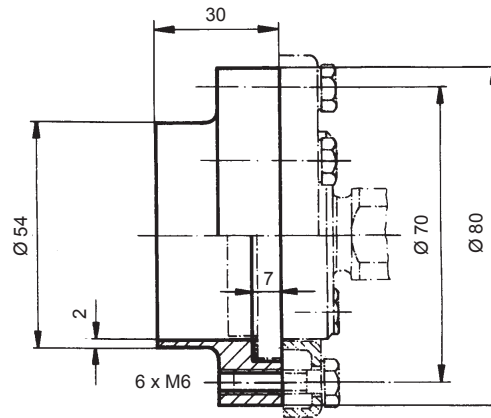
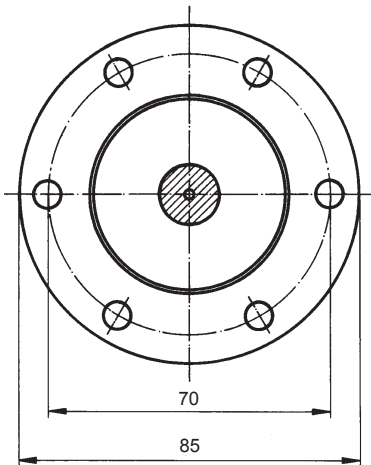
Standard version (code 1020)



Long version (code 1022)



Welding flange



Ordering example

MEX 5 - D 3 1 . B31 / 1020 - LRS7

Diaphragm seal, standard version

Filling fluid LRS7: Glycerine (-20 ... +80 °C)