

Main Features

- 360° positioning of the thermometer dial
- Easy adaptation to the length of installed thermowells
- Brass, steel & stainless steel (1.4435 / 316L)

Applications

- HVAC
- Water & Waste water
- Energy
- Machinery

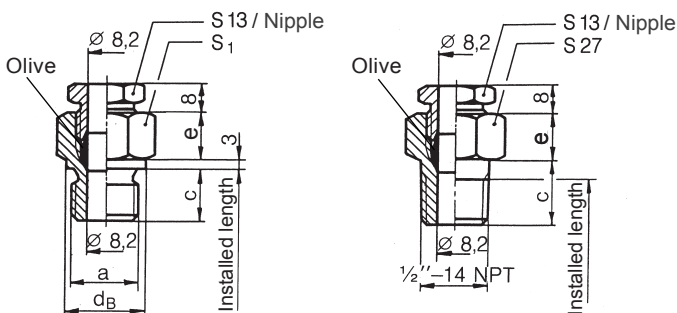
Technical Data

Max. Temp. °C	Max. Pressure (bar)		
	Brass	Steel	Stainless Steel
100	64	125	250
250	25	80	160
400	-	64	125
650	-	-	100

Ordering codes

Thread a	Brass	Stainless steel	
	Male thread	Male thread	Female thread
G $\frac{1}{4}$	-	T 08406.1500	-
G $\frac{1}{2}$	T 08406.0001	T 08406.0003	T 08641.0003
G $\frac{3}{4}$	T 08406.0004	T 08406.0006	T 08641.0006
G1	-	-	T 08641.0009
$\frac{1}{4}$ NPT	-	T 08406.1300	-
$\frac{1}{2}$ NPT	T 08406.0007	T 08406.0009	-
M20 x 1.5	-	T 08406.1020	-

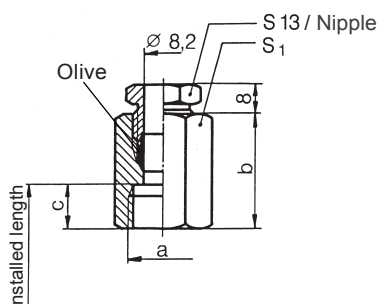
Dimensions (in mm) and weights with male thread



Measurement

a	c	d _b	e	S ₁	Weight (kg)
G $\frac{1}{4}$	13	19	10	19	0.040
G $\frac{1}{2}$	15	26	10	27	0.095
G $\frac{3}{4}$	16	32	10	32	0.150
$\frac{1}{4}$ NPT	16	-	14.5	17	0.040
$\frac{1}{2}$ -14 NPT	20	-	10	27	0.095
G1	19	39	10	41	0.210
M20 x 1.5	14	27	10	27	0.090

Dimensions (in mm) and weights with female thread



Measurement

a	b	c	S ₁	Weight (kg)
G $\frac{1}{2}$	31	15	27	0.130
G $\frac{3}{4}$	32	16	32	0.165
G1	35	19	41	0.330
M24 x 1.5	32	16	32	0.170