

Main Features

- 360° positioning of the thermometer dial
- Easy adaptation to the length of installed thermowells
- Stainless steel (1.4435 / 316L)

Applications

- HVAC
- Water & Waste water
- Energy
- Machinery

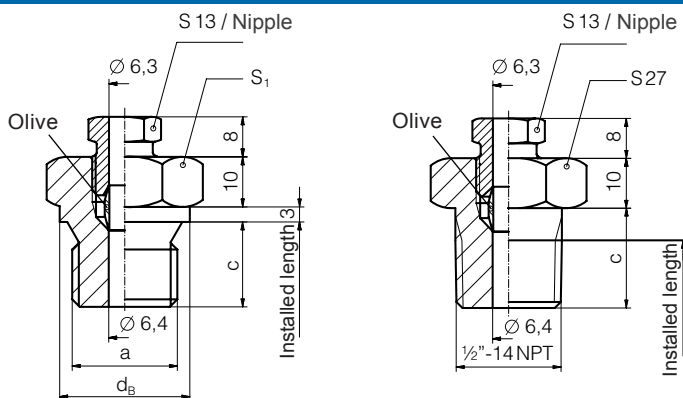
Technical Data

Max. Temp. °C	Max. Pressure (bar)
100	250
250	160
400	125
650	100

Ordering codes

Thread a	Male thread	Female thread
G $\frac{1}{2}$	T 08406.0016	T 08641.0010
G $\frac{3}{4}$	T 08406.0017	T 08641.0011
$\frac{1}{2}$ "-14 NPT	T 08406.0019	-
G1	T 08406.0020	T 08641.0012
M20 x 1.5	T 08406.2020	-
M24 x 1.5	-	T 08641.0013

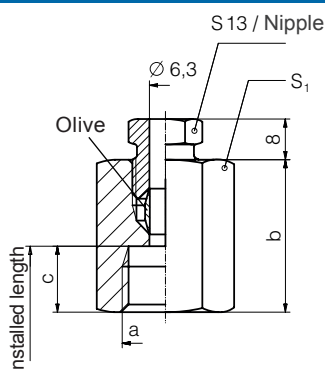
Dimensions (in mm) and weights with male thread



Measurement

a	c	d _B	S ₁	Weight (kg)
G $\frac{1}{2}$	15	26	27	0.095
G $\frac{3}{4}$	16	32	32	0.150
$\frac{1}{2}$ "-14 NPT	20	-	27	0.095
G1	19	39	41	0.210
M20 x 1.5	14	27	27	0.090

Dimensions (in mm) and weights with female thread



Measurement

a	b	c	S ₁	Weight (kg)
G $\frac{1}{2}$	31	15	27	0.130
G $\frac{3}{4}$	32	16	32	0.165
G1	35	19	41	0.330
M24 x 1.5	32	16	32	0.170