

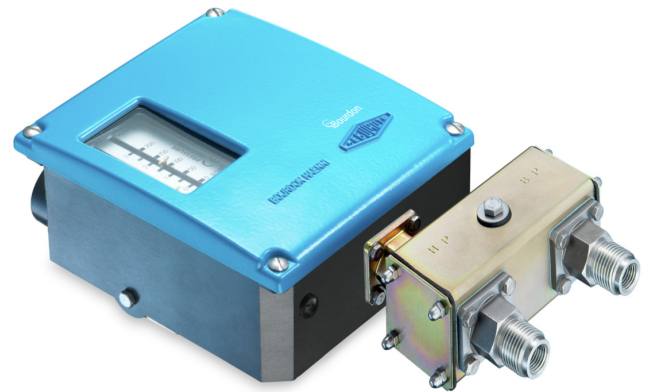
RDY8

Differential pressure switch with intrinsic safety

RDY-###.###/

Overview

- Excellent repeatability
- Dead band adjustment for regulation
- Fix dead band for control
- Intrinsic safety Hazardous area 0, 1, 2



Picture similar



Technical data

Housing

Protection rating (EN60529)	IP66
Cover	Blue painted, zamak Captive stainless steel screws
Case material	Black painted, zamak
Mounting	Wall mounting bracket
Scale	Internal, accuracy on reading $\pm 5\%$ FS

Process

Process connection	G1/2" 1/4" NPT female 1/2" NPT
Process connection material	Stainless steel 1.4404 / AISI 316L

Temperature

Ambient temperature	-25°C ... +55°C (T6)
Storage temperature	-40°C ... +40°C ,Code 40
Media temperature	-50°C ... +200°C

Wetted parts

Bellow	Stainless steel 1.4404 / AISI 316L Stainless steel 1.4432 / AISI 316L
--------	--

Sensing / Input

Min. measuring range	0.05 ... 0.5 bar
Max. measuring range	2.5 ... 30 bar

Performance

Repeatability	$\pm 1\%$ FS
Adjustment	2 external adjustment screws on top of the case for set point and deadband When set point adjustment is required it is necessary to know the static pressure, as it has an influence on the set point.

Electrical data

Ground connection	Via internal terminal block
Electrical connection	Via internal terminal block with plastic cable gland for $\varnothing 7$ to 10.5 mm

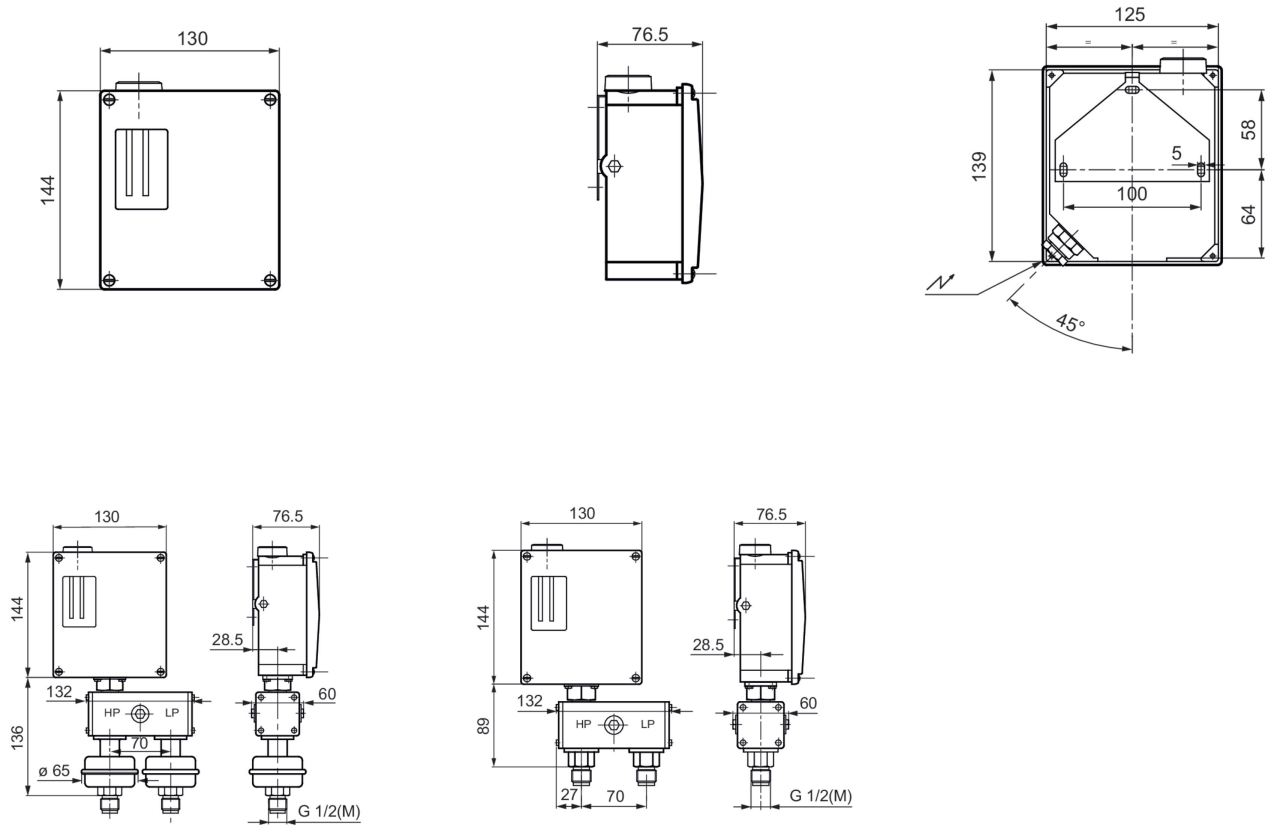
Approval / Conformities

ATEX/IECEX Certificate	LCIE 03 ATEX 6123X IECEX LCIE 15.0060X
ATEX/IECEX	Ex I M1 Ex II 1 G Further information can be found in the ATEX approval
CE conformity	ATEX directive 2014/34/UE

Remarks

- These devices must be used as instruments that provide electrical information according to the value of the input variable. They are not intended to be used as a safety accessory. It is the responsibility of the user to check the compatibility of the device with its intended use.

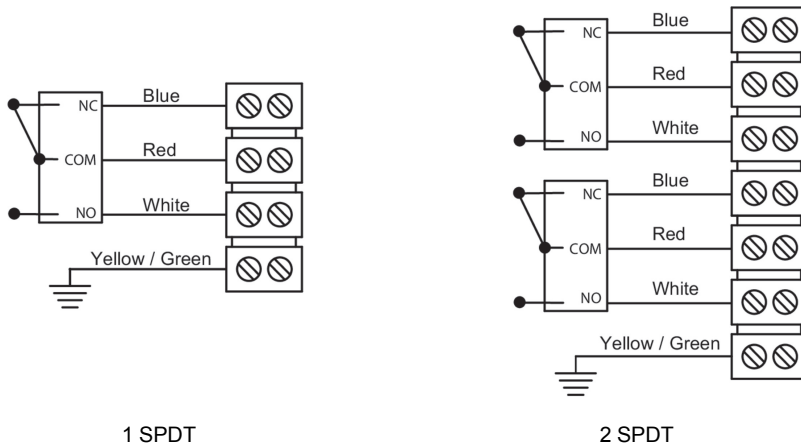
Dimensional drawings (mm)



Pressure range codes: 211 - 221
Weight: 3 kg

Pressure range codes: 214 - 224 - 234 - 235
- 245 - 246 - 256 - 257 - 258
Weight: 3 kg

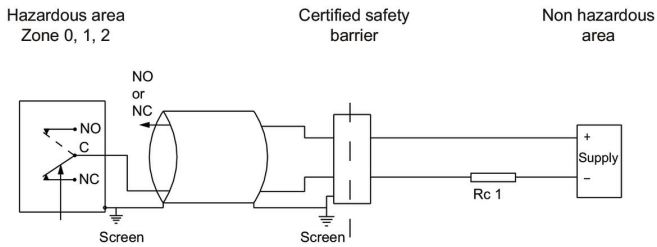
Electrical connection



1 SPDT

2 SPDT

Electrical connection

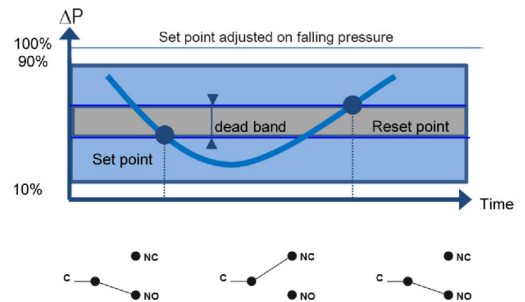
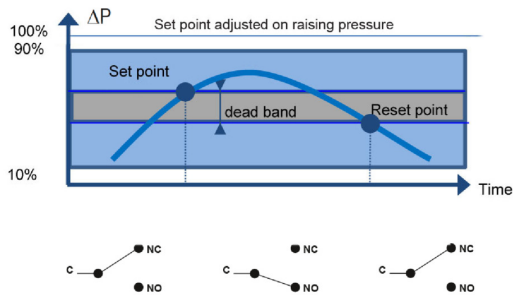


For max. ambient temperature according to temperature classes T5 and T6 refer to technical data.

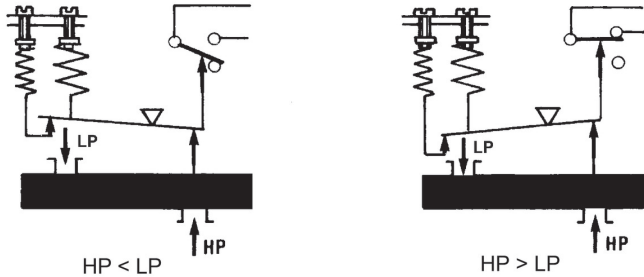
The installation must be made in an intrinsically safe circuit whose certified electrical safety parameters do not exceed any of the values U_i , I_i and P_i given in the electrical data.

All necessary measures must be taken by the user, to avoid the calorific transfer from the fluid to the apparatus head increasing the head's temperature to such that it reaches the self-ignition temperature of the gas in which it is used.

Principle



Principle



A flexible sensing element actuates a microswitch by means of a piston. The set point is adjusted by means of a compressible spring installed in opposition.

Set point and reset point must be between 10% and 90% of the selected scale.

Standard factory adjustment

Setpoint at 50% of the scale on falling pressure.

Customer specific factory adjustment (option SETP)

The following specifications have to be given with the order:

- Setpoint value
- Adjustment on falling or raising pressure
- Static pressure (except RDx6)
- Dead band value (as needed) when using an adjustable dead band switch

Adjustable ranges

Scale	Max ΔP	Max P Static	Code	Micro-switch dead band ¹⁾					
				Adjustable dead band				Fixed dead band	
				M (K*)		C (W*)		S	
				10%	90%	10%	90%	10%	90%
bar	bar	bar	Code	bar					
0.05... 0.5	0.5	7	211	0.09 - 0.3	0.1 - 0.3	0.15 - 0.4	0.2 - 0.4	0.06	0.09
0.05... 1	1	7	221	0.09 - 0.3	0.1 - 0.3	0.15 - 0.4	0.22 - 0.4	0.06	0.09
0.15... 0.5	0.5	20	214	0.14 - 0.5	0.18 - 0.5	N/A	N/A	0.12	0.18
0.15... 1	1	20	224	0.2 - 0.6	0.25 - 0.6	N/A	N/A	0.12	0.18
0.15... 4	4	20	234	0.21 - 1.5	0.27 - 1.5	0.65 - 2	0.8 - 2	0.12	0.18
0.8... 4	4	30	235	0.7 - 2.5	1.1 - 2.5	0.75 - 2.5	1.1 - 2.5	0.16	0.28
0.8... 10	10	30	245	0.7 - 2.5	1.1 - 2.5	0.75 - 2.5	1.1 - 2.5	0.16	0.28
1.5... 10	10	65	246	1.2 - 5	2.5 - 5	2.5 - 6	3.5 - 6	0.42	0.68
1.5... 20	20	65	256	1.2 - 5	2.5 - 5	2.5 - 6	3.5 - 6	0.42	0.68
2.5... 20	20	220	257	2.5 - 20	3.5 - 20	6 - 20	7 - 20	1.85	2.8
2.5... 30	30	220	258	3 - 30	4 - 20	6 - 20	7 - 20	1.95	2.8

(*) For version with 2 microswitches lower values of the dead band must be multiplied x 1.5

(1) The value of the dead band is depending on the value of the set point. This table contains the dead band values for set point adjustment at 10% and 90% of the selected scale. For adjustable dead band the lower value corresponds to the dead and spring totally released and the higher corresponds to the dead band spring fully tensed. For other set points the dead band value can be calculated by linear interpolation between the values at 10% and 90%.

RDY8

Differential pressure switch with intrinsic safety

RDY-###.###/

Micro switch characteristics

Switch code	M (K)	C (W)	S
Type	Gold contact	Hermetic	Ultrasensitive Gold contact
6 Vdc	10 ... 50 mA	5 ... 120 mA	10 ... 50 mA
12 Vdc	10 ... 50 mA	5 ... 120 mA	10 ... 50 mA
24 Vdc	10 ... 50 mA	5 ... 120 mA	10 ... 50 mA
30 Vdc	N/A	N/A	N/A
48 Vdc	N/A	N/A	N/A
110 Vdc	N/A	N/A	N/A
220 Vdc	N/A	N/A	N/A
115 Vac	N/A	N/A	N/A
250 Vac	N/A	N/A	N/A
Dielectric rigidity between contacts and ground	2000 V	1500 V	2000 V

RDY8

Differential pressure switch with intrinsic safety

RDY-###.###/

Ordering reference

Ordering key - Configuration possibilities see website

	RDY	-	8	#	#	.	###
Product	RDY						
Measuring element	Bellow or piston, st.steel		8				
Type of Microswitch	1xSPDT, hermetically simultaneous			C			
	1 gold contact changeover switch simultaneous			W			
	1xSPDT, gold, ultra sensitive			M			
				K			
				S			
Process connection	G 1/2					3	
	1/2 NPT					6	
	1/4 NPT F					8	
Pressure range	0.05 ... 0.5 bar						211
	0.05 ... 1 bar						221
	0.15 ... 0.5 bar						214
	0.15 ... 1 bar						224
	0.15 ... 4 bar						234
	0.8 ... 4 bar						235
	0.8 ... 10 bar						245
	1.5 ... 10 bar						246
	1.5 ... 20 bar						256
	2.5 ... 20 bar						257
	2.5 ... 30 bar						258

Ordering example

	RDY	-	8	C	3	.	211	/	0765
Product	RDY								
Measuring element	Bellow or piston, st.steel		8						
Type of Microswitch	1xSPDT, hermetically			C					
Process connection	G 1/2				3				
Pressure range	0.05 ... 0.5 bar						211		
Cleanliness	for oxygen applications free of oil and grease								0765

RDY8

Differential pressure switch with intrinsic safety

RDY-###.###/

Options

Setpoint factory adjusted	SETP	2298	2298
For oxygen applications	0765	2.1 Certificate	Q001
Mounting on 2 pipe	0407	2.2 Certificate	Q002
stainless steel label wired*	9941	3.1 Material certificate	Q003
Setpoint adjust. lead sealed	8990	3.1 Certif. setpoints adjust.	Q011
Souriau mobile plug	2249		