

Overview

- For non-corrosive gasses and liquids
- Class 1.6 according to EN 837-1
- Wetted parts: Brass



Picture similar

Technical data

Housing

Nominal size	63 mm
Case material	Stainless steel 1.4301 / AISI 304
Bezel ring material	Stainless steel 1.4301 / AISI 304
Window material	Laminated safety glass
Window gasket	Elastomer
Protection rating (EN 60529)	IP65
Dial	White, Aluminium
Pointer	Black, Aluminium
Movement material	Brass

Temperature

Ambient temperature	-20°C ... +70°C
Storage temperature	-40°C ... +70°C
Media temperature	-20°C ... +70°C

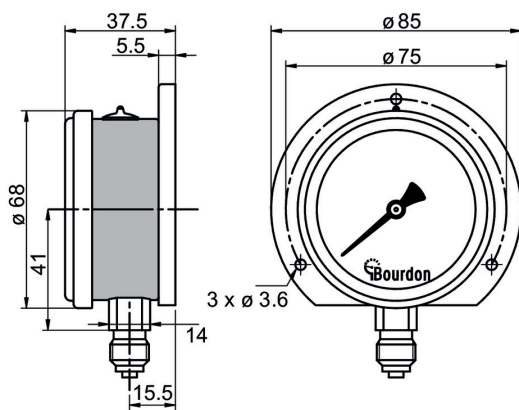
Wetted parts

Process connection material	Brass
Bourdon tube	Bronze

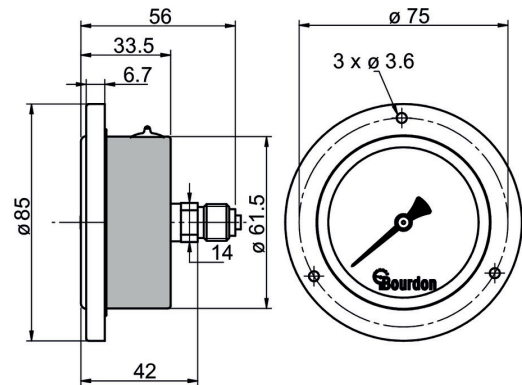
Performance

Accuracy according to EN 837-1	Class 1.6
Min. measuring range	0 ... 1 bar
Max. measuring range	0 ... 600 bar
Type of pressure	Gauge Vacuum Compound
Pressure limitation	Steady: 75 % of full scale value Fluctuating: 65 % of full scale value Short time: 100 % of full scale value
Thermal drift (reference: +20 °C)	± 0.4 % FS/10K

Dimensional drawings (mm)

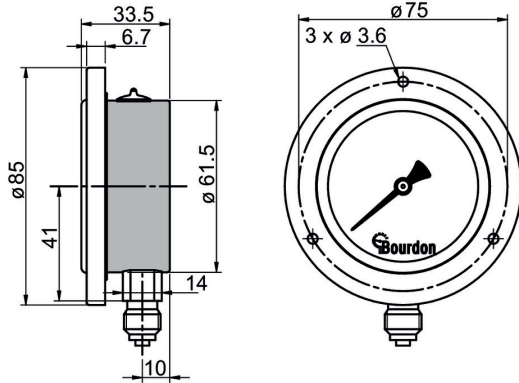


Type A

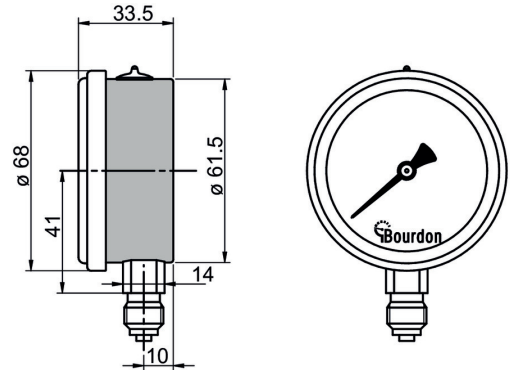


Type B

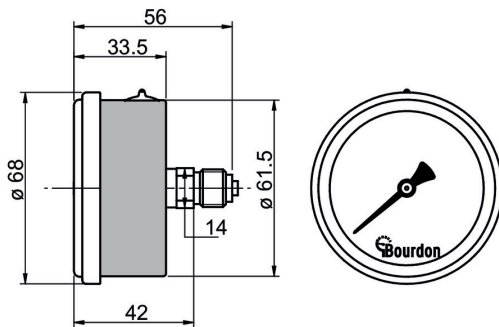
Dimensional drawings (mm)



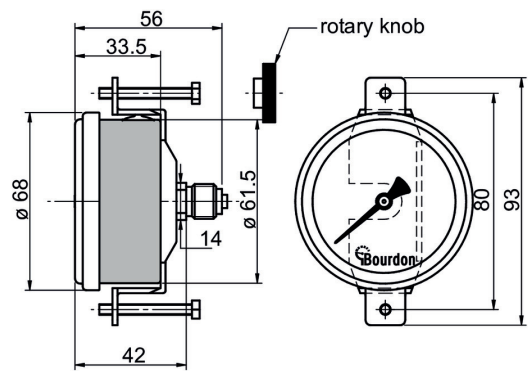
Type C



Type D



Type F



Type G

Measuring ranges

Code	Bar	Code	kPa	Code	kg/cm ²	Code	psi
B59	-1 ... 0	D59	-100 ... 0	F59	-1 ... 0	H59	-30" Hg ... 0
B72	-1 ... 0,6	D72	-100 ... 60	F72	-1 ... 0,6	H73	-30" Hg ... 15
B74	-1 ... 1,5	D74	-100 ... 150	F74	-1 ... 1,5	H75	-30" Hg ... 30
B76	-1 ... 3	D76	-100 ... 300	F76	-1 ... 3	H2C	-30" Hg ... 60
B77	-1 ... 5	D77	-100 ... 500	F77	-1 ... 5	H78	-30" Hg ... 100
B79	-1 ... 9	D79	-100 ... 900	F79	-1 ... 9	H79	-30" Hg ... 150
B81	-1 ... 15	D81	-100 ... 1 500	F81	-1 ... 15	H81	-30" Hg ... 220
B82	-1 ... 24	D82	-100 ... 2 400	F82	-1 ... 24	H82	-30" Hg ... 300
B15	0 ... 1	D15	0 ... 100	F15	0 ... 1	H15	0 ... 15
B16	0 ... 1,6	D16	0 ... 160	F16	0 ... 1,6	H1C	0 ... 20
B18	0 ... 2,5	D18	0 ... 250	F18	0 ... 2,5	H17	0 ... 30
B19	0 ... 4	D19	0 ... 400	F19	0 ... 4	H19	0 ... 60
B20	0 ... 6	D20	0 ... 600	F20	0 ... 6	H21	0 ... 100
B22	0 ... 10	D22	0 ... 1 000	F22	0 ... 10	H22	0 ... 160
B24	0 ... 16	D24	0 ... 1 600	F24	0 ... 16	H23	0 ... 200
B26	0 ... 25	D26	0 ... 2 500	F26	0 ... 25	H25	0 ... 300
B27	0 ... 40	D27	0 ... 4 000	F27	0 ... 40	H26	0 ... 400
B29	0 ... 60	D29	0 ... 6 000	F29	0 ... 60	H27	0 ... 600
B31	0 ... 100	D31	0 ... 10 000	F31	0 ... 100	H30	0 ... 1 000
B33	0 ... 160	D33	0 ... 16 000	F33	0 ... 160	H31	0 ... 1 500
B35	0 ... 250	D35	0 ... 25 000	F35	0 ... 250	H34	0 ... 3 000
B38	0 ... 400	D38	0 ... 40 000	F38	0 ... 400	H38	0 ... 6 000
B39	0 ... 600	D39	0 ... 60 000	F39	0 ... 600	H40	0 ... 10 000

Ordering reference

Ordering key - Configuration possibilities see website

	MMD3	-	#	#	#	.	###
Product	MMD3						
Case							
Case 1.4301 (304), bottom connection, back fixing for wall mounting				A			
Case 1.4301 (304), back connection, front flange, 3 holes for panel mounting				B			
Case 1.4301 (304), bottom connection, front flange, 3 holes for panel mounting				C			
Case 1.4301 (304), bottom connection				D			
Case 1.4301 (304), back connection				F			
Case 1.4301 (304), back connection, fixing clamp for panel mounting				G			
Process connection							
G 1/4						2	
1/4 NPT						5	
Damping fluid							
without							0
BH1, Glycerin 86 %							1
BH2, Glycerin 99 %							2
Measuring range⁽¹⁾							
bar (EN)							Bxx
kPa (EN)							Dxx
MPa (EN)							Exx
psi (ANSI)							Hxx

(1) Available standard measuring ranges, see table in section Measuring ranges. For ranges not listed, please enquire.

Options

Instrument glass	0750	2.2 Certificate	Q002
Restrictor screw 0,3 mm	0769	3.1 Calibration certificate 5 pts (rising)	Q008
2.1 Certificate	Q001	3.1 Calibration certificate 5 pts (EN837)	Q009