

Overview

- For corrosive gasses and liquids
- Class 1.6 according to EN 837-1
- Safety version S3 according to EN 837-1
- Wetted parts: Stainless steel
- Option: Liquid-filled for applications with pulsations or vibrations
- Option: IP67 with internal compensation membrane



Picture similar



Technical data

Housing

Nominal size	2.5" (63 mm)
Case material	Stainless steel AISI 316L / 1.4404
Bezel ring material	Stainless steel AISI 316L / 1.4404
Window material	Laminated safety glass Polycarbonate, optional
Window gasket	Elastomer
Protection rating (EN 60529)	IP65 IP67 with compensation membrane (0763)
Dial	White, Aluminium
Pointer	Black, Aluminium
Movement material	Stainless steel
Safety according to EN 837-1	S3 Safety pattern gauge with solid front and pressure relief back

Temperature

Ambient temperature	-4°F ... +158°F
Storage temperature	-40°F ... +158°F
Media temperature	-40°F ... +392°F (not filled)

Wetted parts

Process connection material	Stainless steel AISI 316L / 1.4404
Bourdon tube	Stainless steel AISI 316L / 1.4404

Performance

Accuracy according to EN 837-1	Class 1.6
Min. measuring range	-30"HG ... 0 psi
Max. measuring range	0 ... 10000 psi
Type of pressure	Gauge Compound Vacuum
Pressure limitation	Steady: 75 % of full scale value Fluctuating: 65 % of full scale value Short time: 100 % of full scale value

Thermal drift (reference: +67 °F) ± 0.4 % FS/10K

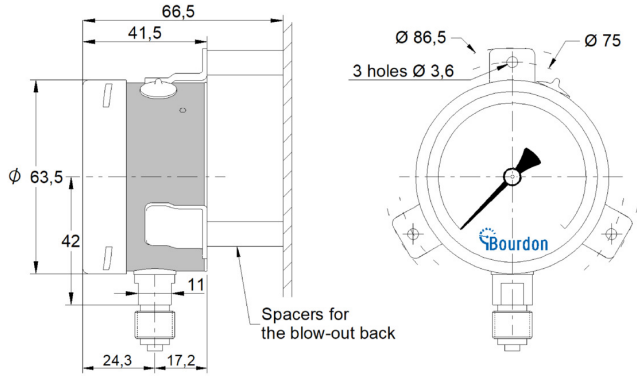
Weight

Gauge	0.4 lbs unfilled 0.62 lbs filled
-------	-------------------------------------

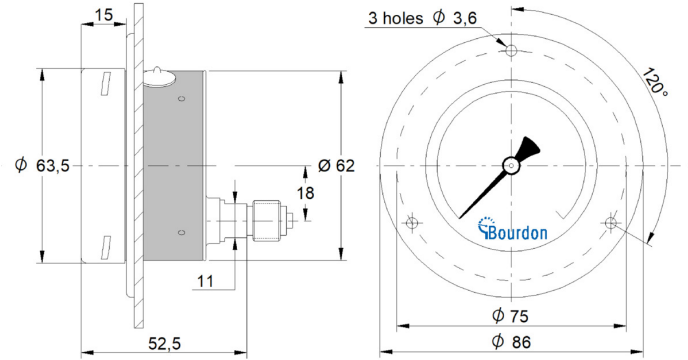
Approval / Conformities

ATEX	Ex II 2 GDc-IM2c
------	------------------

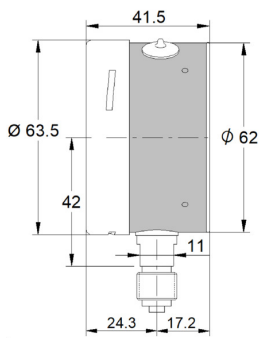
Dimensional drawings (mm)



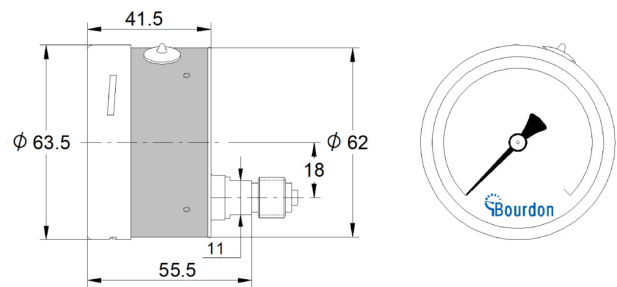
Type 1



Type 2



Type 4



Type 6

Measuring ranges

Code	Bar
B72	-1 ... 0.6
B74	-1 ... 1.5
B76	-1 ... 3
B77	-1 ... 5
B79	-1 ... 9
B81	-1 ... 15
B82	-1 ... 24
B15	0 ... 1
B16	0 ... 1.6
B18	0 ... 2.5
B19	0 ... 4
B20	0 ... 6
B22	0 ... 10
B24	0 ... 16
B26	0 ... 25
B27	0 ... 40
B29	0 ... 60
B31	0 ... 100
B33	0 ... 160
B35	0 ... 250
B38	0 ... 400

Code	kPa
D72	-100 ... 60
D74	-100 ... 150
D76	-100 ... 300
D77	-100 ... 500
D79	-100 ... 900
D81	-100 ... 1 500
D82	-100 ... 2 400
D15	0 ... 100
D16	0 ... 160
D18	0 ... 250
D19	0 ... 400
D20	0 ... 600
D22	0 ... 1 000
D24	0 ... 1 600
D26	0 ... 2 500
D27	0 ... 4 000
D29	0 ... 6 000
D31	0 ... 10 000
D33	0 ... 16 000
D35	0 ... 25 000
D38	0 ... 40 000

Code	kg/cm ²
F72	-1 ... 0.6
F74	-1 ... 1.5
F76	-1 ... 3
F77	-1 ... 5
F79	-1 ... 9
F81	-1 ... 15
F82	-1 ... 24
F15	0 ... 1
F16	0 ... 1.6
F18	0 ... 2.5
F19	0 ... 4
F20	0 ... 6
F22	0 ... 10
F24	0 ... 16
F26	0 ... 25
F27	0 ... 40
F29	0 ... 60
F31	0 ... 100
F33	0 ... 160
F35	0 ... 250
F38	0 ... 400

Code	psi
H73	-30" Hg ... 15
H75	-30" Hg ... 30
H2C	-30" Hg ... 60
H78	-30" Hg ... 100
H79	-30" Hg ... 150
H81	-30" Hg ... 220
H82	-30" Hg ... 300
H15	0 ... 15
H1C	0 ... 20
H17	0 ... 30
H19	0 ... 60
H21	0 ... 100
H22	0 ... 160
H23	0 ... 200
H25	0 ... 300
H26	0 ... 400
H27	0 ... 600
H30	0 ... 1 000
H31	0 ... 1 500
H34	0 ... 3 000
H38	0 ... 6 000

Ordering reference

Ordering key - Configuration possibilities see website

	MEP3	-	#	#	#	.	###
Product	MEP3						
Case							
Case 1.4404 (316L), bottom connection, back fixing for wall mounting			1				
Case 1.4404 (316L), back connection, front flange, 3 holes for panel mounting			2				
Case 1.4404 (316L), bottom connection			4				
Case 1.4404 (316L), back connection			6				
Process connection							
G 1/4			2				
1/4 NPT			5				
Damping fluid							
without							0
BH1, Glycerin 86 %							1
BH2, Glycerin 99 %							2
BH3, Silicone oil							3
Measuring range⁽¹⁾							
bar (EN)							Bxx
kPa (EN)							Dxx
kg/cm ² (EN)							Fxx
psi (ANSI)							Hxx
bar/psi (EN)							Kxx
psi/bar (ANSI)							Sxx
MPa (EN)							Exx
psi/kPa (ANSI)							Vxx
kPa/psi (EN)							Wxx

(1) Available standard measuring ranges, see table in section Measuring ranges. For ranges not listed, please contact Bourdon.

Ordering example

	MEP3	-	4	2	0	.	B22	/
Product	MEP3							
Case								
Case 1.4404 (316L), bottom connection			4					
Process connection								
G 1/4					2			
Damping fluid								
without							0	
Measuring range								
0 ... 10 bar (EN)								B22

Options

ATEX II2GDc T6-IM2c ⁽¹⁾	0078	2.1 Certificate	Q001
Add. gasket for panel mount	0152	2.2 Certificate	Q002
Polycarbonate (Makrolon) window	0753	3.1 Material certificate	Q003
Compensation membrane	0763	3.1 Calibration certificate 5 pts (rising)	Q008
Restrictor screw 0,3 mm	0769	3.1 Calibration certificate 5 pts (EN837)	Q009

(1) Only with laminated safety glass window