

Overview

- Excellent repeatability
- Dead band adjustment for regulation
- Fix dead band for control



Picture similar

Technical data

Housing

Protection rating (EN60529)	IP66
Cover	Blue painted, zamak Captive stainless steel screws
Case material	Black painted, zamak
Mounting	Wall mounting bracket
Scale	Internal, accuracy on reading $\pm 5\%$ FS

Performance

Min. pressure range	-1 ... 0 bar
Max. pressure range	60 ... 600 bar
Repeatability	$\pm 1\%$ FS

Temperature: Pressure range codes 200 to 602

Ambient temperature	-25°C ... +55°C
---------------------	-----------------

Temperature: Pressure range codes 200 to 602

Storage temperature	-40°C ... +70°C
Media temperature	-50°C ... +200°C

Wetted parts

Piston	Nickel plated steel
Bellow	Stainless steel 1.4404 / AISI 316L Stainless steel 1.4432 / AISI 316L

Electrical data

Electrical connection	Via internal terminal block with plastic cable gland for $\varnothing 7$ to 10.5 mm
Ground connection	Via internal terminal block
Adjustment	2 external adjustment screws on top of the case for set point and deadband

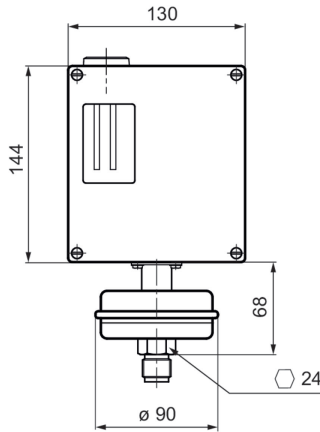
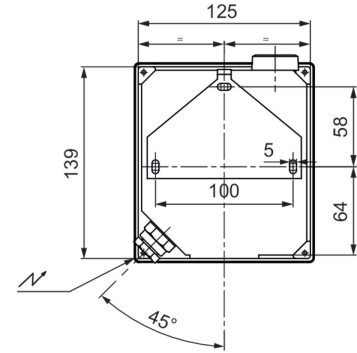
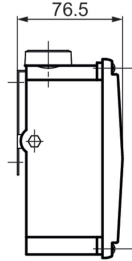
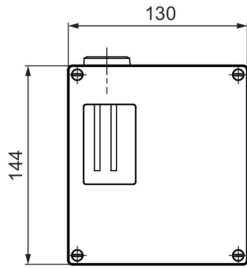
Approval / Conformities

CE conformity	Low Voltage Directive 2014/35/UE
---------------	----------------------------------

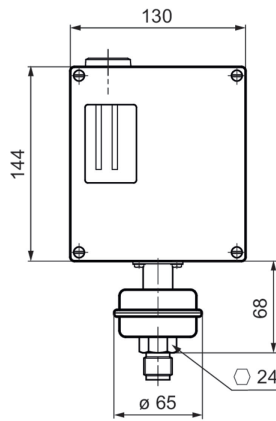
Remarks

- These devices must be used as instruments that provide electrical information according to the value of the input variable. They are not intended to be used as a safety accessory. It is the responsibility of the user to check the compatibility of the device with its intended use.

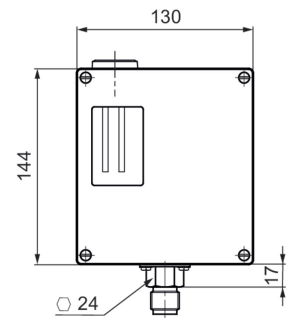
Dimensional drawings (mm)



Pressure range codes: 200 - 202 - 203
Weight: 2.5 kg

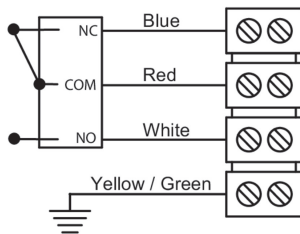


Pressure range codes: 201
Weight: 2.5 kg

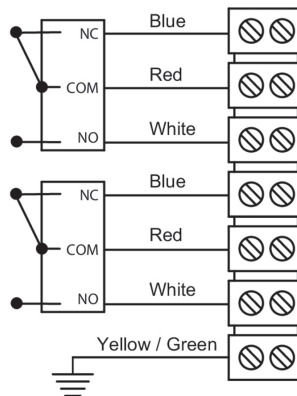


Pressure range codes: 204 - 205 - 206 - 207
- 208 - 209 - 600 - 601 - 602
Weight: 2 kg

Electrical connection

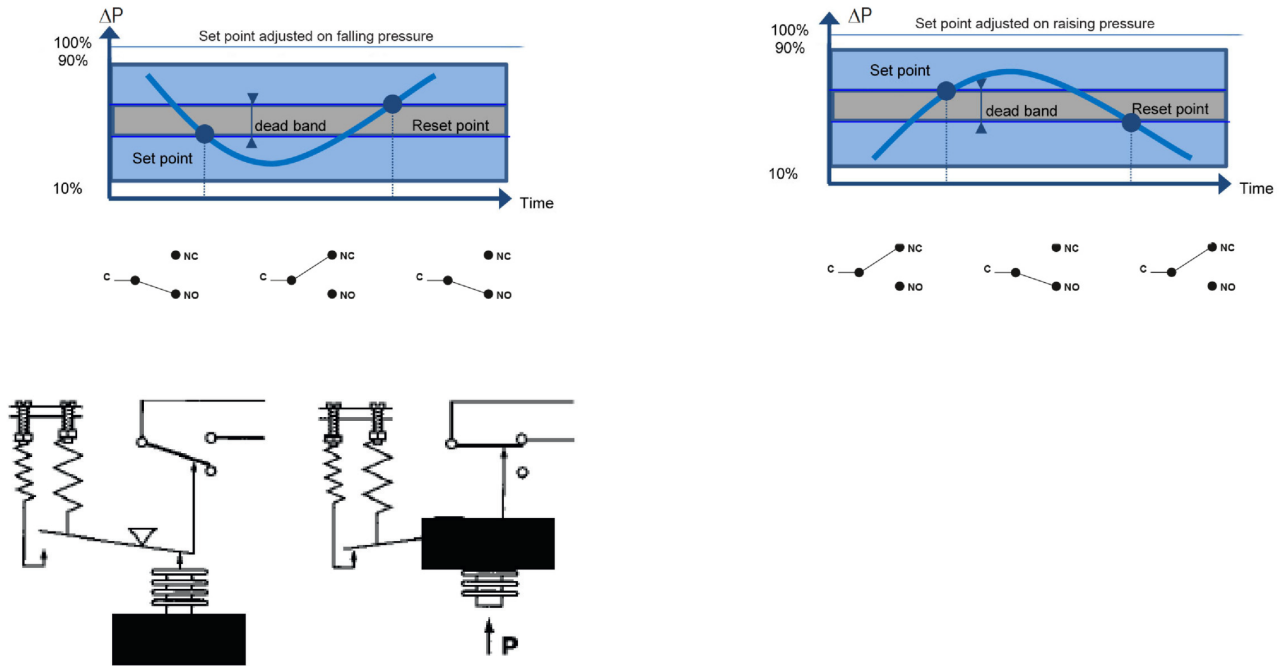


1 SPDT



2 SPDT

Principle



A flexible sensing element actuates a microswitch by means of a lever. The set point is adjusted by means of a compressible spring installed in opposition.

Set point and reset point must be between 10% and 90% of the selected scale.

Standard factory adjustment

Setpoint at 50% of the scale on falling pressure.

Customer specific factory adjustment (option SETP)

The following specifications have to be given with the order:

- Setpoint value
- Adjustment on falling or raising pressure
- Deadband value (as needed) when using an adjustable dead band switch

RPPN7

Industrial pressure switch

RPPN-###.###/

Adjustable ranges

Scale	P. Max accidental	Code	Micro-switch dead band [*]										
			Adjustable dead band				Fixed dead band						
			A (B*)		M (K*)		C (W*)		E (F*)		H	D (V*)	J
			10%	90%	10%	90%	10%	90%	10%	90%	10%	90%	
bar	bar		mbar										
-1 ... 0	1.5	200	25 - 250	35 - 250	80 - 250	95 - 250	5	6	30	42			
-1 ... 2.5	7	201	80 - 1200	100 - 1200	150 - 1200	200 - 1200	22	25	96	120			
0 ... 0.2	1.5	202	15 - 100	20 - 100	60 - 100	65 - 100	4	5	18	24			
0.05 ... 1	1.5	203	20 - 400	25 - 400	80 - 400	95 - 400	4	5	24	30			
0.5 ... 10	30	204	200 - 3000	250 - 3000	650 - 3000	850 - 3000	45	50	240	300			
3.5 ... 25	30	205	600 - 5000	1200 - 5000	750 - 5000	1300 - 5000	60	100	720	1440			
bar	bar	Code	bar										
5 ... 50	65	206	1 - 10	2 - 10	2.5 - 10	3 - 10	0.15	0.2	1.5	2.5			
5 ... 100	220	207	2.5 - 15	3 - 15	5.5 - 15	6.5 - 15	0.7	0.9	3	3.5			
20 ... 150	220	208	2.5 - 15	3.5 - 15	5.5 - 15	6.5 - 15	0.7	1	3	4.5			
-1 ... 3.5	30	209	0.15 - 1.5	0.2 - 1.5	0.65 - 1.5	0.85 - 1.5	0.045	0.050	0.2	0.25			
25 ... 175	800	600	20 - 80	30 - 80	30 - 80	35 - 80	14	14	24	36			
30 ... 350	800	601	20 - 100	30 - 100	30 - 100	35 - 100	16	16	24	36			
60 ... 600	800	602	20 - 120	30 - 120	30 - 120	35 - 120	16	16	24	36			

(*) For version with 2 microswitches lower values of the dead band must be multiplied x 1.5

1)The value of the dead band is depending on the value of the set point. This table contains the dead band values for set point adjustment at 10% and 90% of the selected scale. For adjustable dead band the lower value corresponds to the dead band spring totally released and the higher corresponds to the dead band spring fully tensed. For other set points the dead band value can be calculated by linear interpolation between the values at 10% and 90%.

Micro switch characteristics

Switch code	A (B)	M (K)	C (W)	E (F)	H	D (V)	J
Type	Standard	Gold contact	Hermetic	Ultra sensitive	Manual reset	Ultra sensitive Hermetic	Manual reset
6 Vdc	0.4 ... 10 A	10 ... 50 mA	5 mA ... 4 A	0.4 ... 1 A	N/A	0.4 ... 4 A	N/A
12 Vdc	0.4 ... 10 A	10 ... 50 mA	5 mA ... 4 A	0.4 ... 1 A	N/A	0.4 ... 4 A	N/A
24 Vdc	0.4 ... 6 A	10 ... 50 mA	5 mA ... 4 A	0.4 ... 1 A	0.1 ... 8 A	0.4 ... 4 A	0.1 ... 8 A
30 Vdc	0.4 ... 6 A	10 ... 50 mA	5 mA ... 3 A	0.4 ... 1 A	0.1 ... 8 A	0.4 ... 2 A	0.1 ... 8 A
48 Vdc	0.4 ... 6 A	10 ... 50 mA	5 mA ... 3 A	N/A	N/A	N/A	N/A
110 Vdc	0.1 ... 0.5 A	10 ... 50 mA	5 mA ... 1 A	N/A	N/A	N/A	N/A
220 Vdc	0.1 ... 0.25 A	10 ... 50 mA	5 mA ... 0.5 A	N/A	N/A	N/A	N/A
115 Vac	0.4 ... 10 A	10 ... 50 mA	50 mA ... 3 A	0.4 ... 10 A	0.1 ... 10 A	N/A	0.1 ... 10 A
250 Vac	0.2 ... 10 A	N/A	50 mA ... 2.5 A	0.2 ... 10 A	0.1 ... 5 A	N/A	0.1 ... 5 A
Dielectric rigidity between contacts and ground	2000 V	2000 V	1500 V	2000 V	2000 V	1000 V	2000 V

Ordering reference

Ordering key - Configuration possibilities see website

	RPPN	-	7	#	#	.	###
Product	RPPN						
Sensing element	Bellow or Piston		7				
Type of Microswitch	1xSPDT, Standard			A			
	simultaneous			B			
	1xSPDT, hermetically			C			
	simultaneous			W			
	1xSPDT, ultra sensitive			E			
	simultaneous			F			
	1xSPDT hermetic/ultra sensit.?			D			
	simultaneous			V			
	1 gold contact changeover switch			M			
	simultaneous			K			
	1xSPDT, manually, falling			H			
	1xSPDT, manually, rising			J			
	Pneumatic type, NC			Y			
	Pneumatic type, NO			Z			
Process connection	G 1/2						3
	1/2 NPT						6
	1/4 NPT F						8
Pressure range	-1 ... 0 bar						200
	-1 ... 2.5 bar						201
	0 ... 0.2 bar						202
	0,05 ... 1 bar						203
	0,5 ... 10 bar						204
	3,5 ... 25 bar						205
	5 ... 50 bar						206
	5 ... 100 bar						207
	20 ... 150 bar						208
	-1 ... 3,5 bar						209
	25 ... 175 bar						600
	30 ... 350 bar						601
	60 ... 600 bar						602

Ordering example

	RPPN	-	7	A	3	.	200	/	SETP
Product	RPPN								
Sensing element	Bellow or Piston		7						
Type of Microswitch	1xSPDT, Standard			A					
Process connection	G 1/2						3		
Pressure range	-1 ... 0 bar						200		

RPPN7

Industrial pressure switch

RPPN-###.###/

Ordering reference

Ordering example

RPPN - 7 A 3 . 200 / SETP

Adjustment

Setpoint factory adjusted

SETP

Options

Setpoint factory adjusted	SETP	Setpoint adjust. lead sealed	8990
For oxygen applications	0765	2.1 Certificate	Q001
Mounting on 2 pipe	0407	2.2 Certificate	Q002
Souriau connection	2298	3.1 Material certificate	Q003
Souriau mobile plug	2249	3.1 Certif. setpoints adjust.	Q011
stainless steel label wired*	9941		