



BOURDON
The Original by Baumer



Main Features

- For corrosive gasses and liquids
- Class 0.6 according to EN 837-1
- Wetted parts Stainless steel

Applications

- Food & Beverage
- Laboratory & Medical
- Oil & Gas / Chemical
- Water & Waste water
- Energy
- Transportation & Logistics
- Machinery

Technical Data

Nominal size	160 mm
Measurement range	-0.6 ... 0 to 0 ... 1000 bar
Pressure limitation	Steady : 75% of full scale value Fluctuating : 60% of full scale value Short time : 100% of full scale value
Accuracy	Class 0.6
Protection rating	IP 65 (EN 60529)
Process Connection	Stainless steel 1.4404 (AISI 316L)
Bourdon tube	Stainless steel 1.4404 (AISI 316L)
Case	Stainless steel 1.4301 (AISI 304)
Bezel ring	Stainless steel 1.4301 (AISI 304)
Movement	Stainless steel
Window	Instrument glass
Window gasket	Elastomer
Dial	Aluminium, white
Pointer	Aluminium, black, with edgewise tip

Temperature	Ambient :	-20 ... +70°C
	Medium :	-40 ... +200°C
	Storage :	-40 ... +70°C
Thermal drift	± 0.4% F.S. / 10 K (reference : 20°C)	
Calibration	P ≤ 60 bar with air	
	Marking on the dial "G"	
	P > 60 bar with fluid	
Marking on the dial "F"		

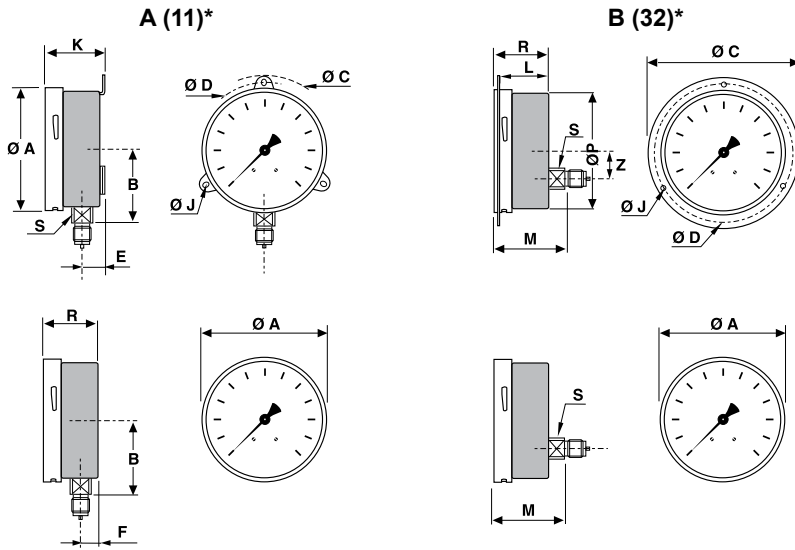
Options

Window laminated safety glass	Code 0751
Window Polymethacrylate	Code 0752
Window Polycarbonate	Code 0753
Restrictor screw Ø 0.5	Code 0771
Laboratory cleanliness	Code 0835
Calibration with fluid (P ≤ 60 bar)	Code 0240
Marking on the dial "F"	
Preparation for official calibration	Code 0090

To be ordered separately

Calibration with certificate	Code Q1060
Calibration certificate EN837-1 (5 points raising and 5 points falling)	Code Q1070

Dimensions - Types of mounting



Weight (kg)
Unfilled : 0.980

Panel cut-outs for type B = Ø 164 mm
*Type of mounting according to EN837-1 in brackets

mm	A	B	C	D	E	F	J	K	L	M	P	R	S	Z
NS 160	161	93.5	196	178	21.5	17	5.5	54.5	44	64	159	50	22	31.5

Pressure ranges

Code	Bar	Code	kPa	Code	kg/cm ²	Code	psi
B58	-0.6 ... 0	D58	-60 ... 0	F58	-0.6 ... 0	H59	-30" Hg ... 0
B59	-1 ... 0	D59	-100 ... 0	F59	-1 ... 0	H73	-30" Hg ... 15
B72	-1 ... 0.6	D72	-100 ... 60	F72	-1 ... 0.6	H75	-30" Hg ... 30
B74	-1 ... 1.5	D74	-100 ... 150	F74	-1 ... 1.5	H2C	-30" Hg ... 60
B76	-1 ... 3	D76	-100 ... 300	F76	-1 ... 3	H78	-30" Hg ... 100
B77	-1 ... 5	D77	-100 ... 500	F77	-1 ... 5	H79	-30" Hg ... 150
B79	-1 ... 9	D79	-100 ... 900	F79	-1 ... 9	H81	-30" Hg ... 220
B81	-1 ... 15	D81	-100 ... 1 500	F81	-1 ... 15	H82	-30" Hg ... 300
B82	-1 ... 24	D82	-100 ... 2 400	F82	-1 ... 24	H13	0 ... 10
B12	0 ... 0.6	D12	0 ... 60	F12	0 ... 0.6	H15	0 ... 15
B15	0 ... 1	D15	0 ... 100	F15	0 ... 1	H1C	0 ... 20
B16	0 ... 1.6	D16	0 ... 160	F16	0 ... 1.6	H17	0 ... 30
B18	0 ... 2.5	D18	0 ... 250	F18	0 ... 2.5	H19	0 ... 60
B19	0 ... 4	D19	0 ... 400	F19	0 ... 4	H21	0 ... 100
B20	0 ... 6	D20	0 ... 600	F20	0 ... 6	H22	0 ... 160
B22	0 ... 10	D22	0 ... 1 000	F22	0 ... 10	H23	0 ... 200
B24	0 ... 16	D24	0 ... 1 600	F24	0 ... 16	H25	0 ... 300
B26	0 ... 25	D26	0 ... 2 500	F26	0 ... 25	H26	0 ... 400
B27	0 ... 40	D27	0 ... 4 000	F27	0 ... 40	H27	0 ... 600
B29	0 ... 60	D29	0 ... 6 000	F29	0 ... 60	H30	0 ... 1 000
B31	0 ... 100	D31	0 ... 10 000	F31	0 ... 100	H31	0 ... 1 500
B33	0 ... 160	D33	0 ... 16 000	F33	0 ... 160	H34	0 ... 3 000
B35	0 ... 250	D35	0 ... 25 000	F35	0 ... 250	H38	0 ... 6 000
B38	0 ... 400	D38	0 ... 40 000	F38	0 ... 400	H40	0 ... 10 000
B39	0 ... 600	D39	0 ... 60 000	F39	0 ... 600	H41	0 ... 15 000
B41	0 ... 1 000			F41	0 ... 1 000		

Ordering details MVX8

	MVX		-			.	xxx	/
Model	MVX							
All stainless steel test pressure gauge								
Nominal size		8						
160 mm			-					
Type of mounting								
Stainless steel case and bezel ring 1.4301 (AISI 304)								
Bottom connection, 3 back lugs fixing								A
Back connection, front flange, 3 mounting holes								B
Bottom connection								D
Back connection								F
Stainless steel case and bezel ring 1.4404 (AISI 316L)								
Bottom connection, 3 back lugs fixing								1
Back connection, front flange, 3 mounting holes								2
Bottom connection								4
Back connection								6
Process connection								
G 1/2								3
1/2 NPT								6
Liquid filling								
Dry								0
Unit of measurement / Pressure ranges ⁽¹⁾								
bar								Bxx
kPa								Dxx
kg/cm ²								Fxx
psi								Hxx
Options to be added behind the / (see example below)								/

⁽¹⁾ Available standard pressures ranges, see tables on page 2. For ranges not listed, please contact Baumer.

Ordering example with options

	MVX	8	-	B	6	0	.	B22	/	0751	-	0090	-	0771
Test Pressure gauge	←													
Nominal size 160 mm	←													
Back connection, front flange, 3 mounting holes, case material 1.4301	←													
Process connection 1/2 NPT	←													
No liquid filling	←													
Scale 0 ... 10 bar	←													
Option : Laminated safety glass	←													
Option : Preparation for official calibration	←													
Option : Restrictor screw 0.5 mm	←													