

Overview

- For corrosive gasses and liquids
- Grade 2A (ASME B40.100)
- Solid front gauge
- Safety through protection of the Bourdon tube against leakages due to overpressure
- Wetted parts: Stainless steel
- Case material: PBT, Fire Retardant, UL94 V0
- Option: Liquid-filled for applications with pulsations or vibrations
- Intelligent filling management requires less damping fluid



Picture similar



Technical data

Housing

Nominal size	115 mm
Case material	PBT, Fire Retardant, UL94 V0
Bezel ring material	PBT, Fire Retardant, UL94 V0
Window material	Laminated safety glass
Window gasket	Elastomer
Protection rating (EN 60529)	IP67
Dial	White, Aluminium
Pointer	Black, Aluminium Adjustable micro metric pointer
Movement material	Stainless steel, performance tuning with special lubricants, grease and surface treatment
Safety	Solid front gauge with solid front and pressure relief back

Temperature

Ambient temperature	-20°C ... +70°C
Storage temperature	-40°C ... +70°C
Media temperature	-40°C ... +200°C (not filled)

Wetted parts

Process connection material	Stainless steel 1.4404 / AISI 316L
Bourdon tube	Stainless steel 1.4404 / AISI 316L

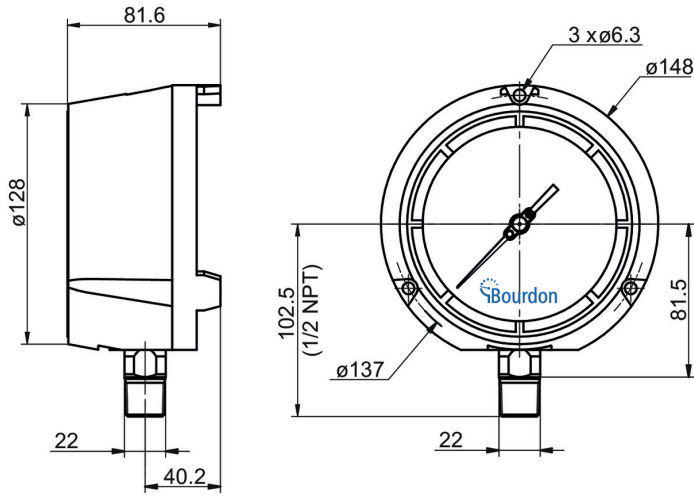
Performance

Accuracy according to ASME B40.100	Grade 2A, ± 0.5%
Min. measuring range	0 ... 0.6 bar
Max. measuring range	0 ... 1000 bar
Type of pressure	Gauge Compound Vacuum
Pressure limitation (ranges ≤ 600 bar)	Steady: 100 % of full scale value Fluctuating: 90 % of full scale value Short time: 130 % of full scale value
Pressure limitation (ranges > 600 bar)	Steady: 75 % of full scale value Fluctuating: 65 % of full scale value Short time: 100 % of full scale value
Thermal drift (reference: +20 °C)	± 0.4 % FS/10K

Weight

Gauge	850 g unfilled 1200 g filled
-------	---------------------------------

Dimensional drawings (mm)



Type A

Measuring ranges

Code	Bar	Code	kPa	Code	kg/cm ²	Code	psi
C59	-1 ... 0	D59	-100 ... 0	F59	-1 ... 0	H59	-30" Hg ... 0
C72	-1 ... 0.6	D72	-100 ... 60	F72	-1 ... 0.6	H73	-30" Hg ... 15
C74	-1 ... 1.5	D74	-100 ... 150	F74	-1 ... 1.5	H75	-30" Hg ... 30
C76	-1 ... 3	D76	-100 ... 300	F76	-1 ... 3	H2C	-30" Hg ... 60
C77	-1 ... 5	D77	-100 ... 500	F77	-1 ... 5	H78	-30" Hg ... 100
C79	-1 ... 9	D79	-100 ... 900	F79	-1 ... 9	H79	-30" Hg ... 150
C81	-1 ... 15	D81	-100 ... 1 500	F81	-1 ... 15	H81	-30" Hg ... 220
C82	-1 ... 24	D82	-100 ... 2 400	F82	-1 ... 24	H82	-30" Hg ... 300
C12	0 ... 0.6	D12	0 ... 60	F12	0 ... 0.6	H13	0 ... 10
C15	0 ... 1	D15	0 ... 100	F15	0 ... 1	H15	0 ... 15
C16	0 ... 1.6	D16	0 ... 160	F16	0 ... 1.6	H1C	0 ... 20
C18	0 ... 2.5	D18	0 ... 250	F18	0 ... 2.5	H17	0 ... 30
C19	0 ... 4	D19	0 ... 400	F19	0 ... 4	H19	0 ... 60
C20	0 ... 6	D20	0 ... 600	F20	0 ... 6	H21	0 ... 100
C22	0 ... 10	D22	0 ... 1 000	F22	0 ... 10	H22	0 ... 160
C24	0 ... 16	D24	0 ... 1 600	F24	0 ... 16	H23	0 ... 200
C26	0 ... 25	D26	0 ... 2 500	F26	0 ... 25	H25	0 ... 300
C27	0 ... 40	D27	0 ... 4 000	F27	0 ... 40	H26	0 ... 400
C29	0 ... 60	D29	0 ... 6 000	F29	0 ... 60	H27	0 ... 600
C31	0 ... 100	D31	0 ... 10 000	F31	0 ... 100	H30	0 ... 1 000
C33	0 ... 160	D33	0 ... 16 000	F33	0 ... 160	H31	0 ... 1 500
C35	0 ... 250	D35	0 ... 25 000	F35	0 ... 250	H34	0 ... 3 000
C38	0 ... 400	D38	0 ... 40 000	F38	0 ... 400	H38	0 ... 6 000
C39	0 ... 600	D39	0 ... 60 000	F39	0 ... 600	H40	0 ... 10 000
C41	0 ... 1 000	D41	0 ... 100 000	F41	0 ... 1 000	H41	0 ... 15 000

Ordering reference

Ordering key - Configuration possibilities see website

	MPG6	-	A	#	#	.	###
Product	MPG6						
bottom connection, back fixing for wall mounting			A				
Process connection							
1/2 NPT					6		
1/4 NPT					5		
Damping fluid⁽¹⁾⁽²⁾							
without							0
BH1, Glycerin 86 %							1
BH2, Glycerin 99 %							2
BH3, Silicone oil							3
BH4, Silicone oil (for lower temperatures)							4
BH5, Fluorinated oil							5
Measuring range⁽³⁾							
bar (ANSI)							Cxx
kPa (EN)							Dxx
kg/cm ² (EN)							Fxx
psi (ANSI)							Hxx
bar/psi (EN)							Kxx
psi/bar (ANSI)							Sxx
psi/kPa (ANSI)							Vxx
MPa (EN)							Exx

(1) Pressure ranges x12 and x13 Grade 1A (dry) and B (with filling), not available with filling BH2

(2) Pressure ranges x59 and x15 Grade 1A with filling

(3) Pressure ranges x41 Grade 1A

Ordering example

	MPG6	-	A	6	0	.	H22	/
Product	MPG6							
bottom connection, back fixing for wall mounting			A					
Process connection								
1/2 NPT					6			
Damping fluid								
without							0	
Measuring range								
0...160 psi (ANSI)								H22

Options

For oxygen applications	0765	3.1 material certificate	Q003
Restrictor screw 0.5 mm ⁽¹⁾	0771	3.1 calib. cert 5 pts (rising)	Q008
High visibility dial ⁽²⁾	9685	3.1 calib.cert 5 pts (EN837)	Q009
2.1 certificate	Q001	3.1 calib.cert 10 pts (EN837)	Q010
2.2 certificate	Q002		

(1) For fittings > 1/4"

(2) Only with red pointer (option 0684)