

Overview

- For corrosive gasses and liquids
- Class 1 according to EN 837-1
- Safety version S3 according to EN 837-1
- Wetted parts: Stainless steel
- IP67 (with internal compensation membrane)
- Option: Liquid-filled for applications with pulsations or vibrations



Picture similar



Technical data

Housing

Nominal size	160 mm
Case material	Stainless steel 1.4404 / AISI 316L
Bezel ring material	Stainless steel 1.4404 / AISI 316L
Window material	Laminated safety glass
Window gasket	Elastomer
Protection rating (EN 60529)	IP67 Case with compensation membrane
Dial	White, Aluminium
Pointer	Black, Aluminium
Movement material	Stainless steel
Safety according to EN 837-1	S3 Safety pattern gauge with solid front and pressure relief back

Temperature

Ambient temperature	-20°C ... +70°C
Storage temperature	-40°C ... +70°C
Media temperature	-40°C ... +200°C (not filled)

Wetted parts

Process connection material	Stainless steel 1.4404 / AISI 316L
-----------------------------	------------------------------------

Wetted parts

Bourdon tube	Stainless steel 1.4404 / AISI 316L
--------------	------------------------------------

Performance

Accuracy according to EN 837-1	Class 1
Min. measuring range	0 ... 0.6 bar
Max. measuring range	0 ... 1600 bar
Type of pressure	Gauge Compound Vacuum
Pressure limitation (ranges ≤ 600 bar)	Steady: 100 % of full scale value Fluctuating: 90 % of full scale value Short time: 130 % of full scale value
Pressure limitation (ranges > 600 bar)	Steady: 75 % of full scale value Fluctuating: 65 % of full scale value Short time: 100 % of full scale value
Thermal drift (reference: +20 °C)	± 0.4 % FS/10K

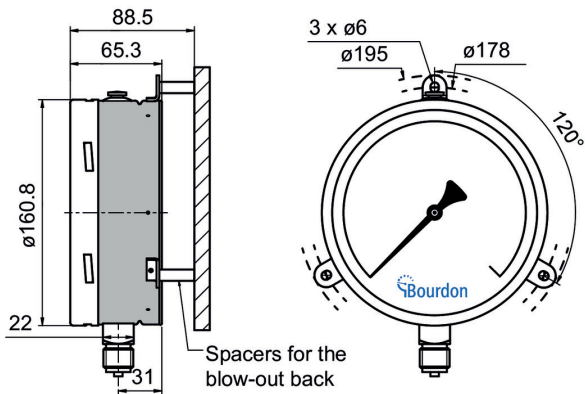
Weight

Gauge	1200 g unfilled 2000 g filled
-------	----------------------------------

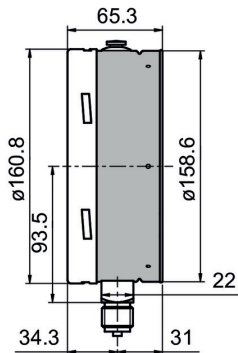
Approval / Conformities

ATEX	Ex II 2 GDC-IM2c
------	------------------

Dimensional drawings (mm)



Type 1



Type 4

Measuring ranges

Code	Bar
B58	-0.6 ... 0
B59	-1 ... 0
B72	-1 ... 0.6
B74	-1 ... 1.5
B76	-1 ... 3
B77	-1 ... 5
B79	-1 ... 9
B81	-1 ... 15
B82	-1 ... 24
B12	0 ... 0.6
B15	0 ... 1
B16	0 ... 1.6
B18	0 ... 2.5
B19	0 ... 4
B20	0 ... 6
B22	0 ... 10
B24	0 ... 16
B26	0 ... 25
B27	0 ... 40
B29	0 ... 60
B31	0 ... 100
B33	0 ... 160
B35	0 ... 250
B38	0 ... 400
B39	0 ... 600
B41	0 ... 1 000
B42	0 ... 1 600

Code	kPa
D58	-60 ... 0
D59	-100 ... 0
D72	-100 ... 60
D74	-100 ... 150
D76	-100 ... 300
D77	-100 ... 500
D79	-100 ... 900
D81	-100 ... 1 500
D82	-100 ... 2 400
D12	0 ... 60
D15	0 ... 100
D16	0 ... 160
D18	0 ... 250
D19	0 ... 400
D20	0 ... 600
D22	0 ... 1 000
D24	0 ... 1 600
D26	0 ... 2 500
D27	0 ... 4 000
D29	0 ... 6 000
D31	0 ... 10 000
D33	0 ... 16 000
D35	0 ... 25 000
D38	0 ... 40 000
D39	0 ... 60 000

Code	kg/cm ²
F58	-0.6 ... 0
F59	-1 ... 0
F72	-1 ... 0.6
F74	-1 ... 1.5
F76	-1 ... 3
F77	-1 ... 5
F79	-1 ... 9
F81	-1 ... 15
F82	-1 ... 24
F12	0 ... 0.6
F15	0 ... 1
F16	0 ... 1.6
F18	0 ... 2.5
F19	0 ... 4
F20	0 ... 6
F22	0 ... 10
F24	0 ... 16
F26	0 ... 25
F27	0 ... 40
F29	0 ... 60
F31	0 ... 100
F33	0 ... 160
F35	0 ... 250
F38	0 ... 400
F39	0 ... 600
F41	0 ... 1 000
F42	0 ... 1 600

Code	psi
H59	-30" Hg ... 0
H73	-30" Hg ... 15
H75	-30" Hg ... 30
H2C	-30" Hg ... 60
H78	-30" Hg ... 100
H79	-30" Hg ... 150
H81	-30" Hg ... 220
H82	-30" Hg ... 300
H13	0 ... 10
H15	0 ... 15
H1C	0 ... 20
H17	0 ... 30
H19	0 ... 60
H21	0 ... 100
H22	0 ... 160
H23	0 ... 200
H25	0 ... 300
H26	0 ... 400
H27	0 ... 600
H30	0 ... 1 000
H31	0 ... 1 500
H34	0 ... 3 000
H38	0 ... 6 000
H40	0 ... 10 000
H41	0 ... 15 000
H1D	0 ... 20 000

Ordering reference

Ordering key - Configuration possibilities see website

	MEP8	-	#	#	#	.	###
Product	MEP8						
Case							
Case 1.4404 (316L), bottom connection, back fixing for wall mounting				1			
Case 1.4404 (316L), bottom connection				4			
Process connection							
G 1/4					2		
G 1/2					3		
1/4 NPT					5		
1/2 NPT					6		
M20 x 1.5					9		
Damping fluid							
without							0
BH1, Glycerin 86 % ⁽¹⁾							1
BH2, Glycerin 99 % ⁽¹⁾							2
BH3, Silicone oil ⁽¹⁾							3
BH4, Silicone oil (for lower temperatures) ⁽¹⁾							4
BH5, Fluorinated oil ⁽¹⁾							5
Measuring range⁽²⁾							
bar (EN)							Bxx
kPa (EN)							Dxx
kg/cm ² (EN)							Fxx
psi (ANSI)							Hxx
bar/psi (EN)							Kxx
psi/bar (ANSI)							Sxx
MPa (EN)							Exx
mbar (EN)							Nxx
psi/kPa (ANSI)							Vxx
kPa/psi (EN)							Wxx

(1) Pressure range 0.6 bar: accuracy class 2.5 with BH1, BH3 and BH5, not available with BH2

(2) Available standard measuring ranges, see table in section Measuring ranges. For ranges not listed, please enquire.

Ordering example

	MEP8	-	4	3	0	.	B22	/
Product	MEP8							
Case								
Case 1.4404 (316L), bottom connection				4				
Process connection								
G 1/2					3			
Damping fluid								
without							0	
Measuring range								
0 ... 10 bar (EN)								B22

Options

ATEX II2GDc T6-IM2c ⁽¹⁾	0078	2.1 certificate	Q001
Adjustable micrometric pointer ⁽²⁾	0678	2.2 certificate	Q002
Adjustable friction pointer	0679	3.1 material certificate	Q003
Polycarbonate (Makrolon) window	0753	3.1 calib. cert 5 pts (rising)	Q008
For oxygen applications	0765	3.1 calib.cert 5 pts (EN837)	Q009
Restrictor screw 0.5 mm ⁽³⁾	0771	3.1 calib.cert 10 pts (EN837)	Q010
Solid drawn bourdon tube	0816		

(1) Only with laminated safety glass window

(2) P ≥ 1.6 bar

(3) For fittings > 1/4"