

## Overview

- For corrosive gasses and liquids
- Class 1 according to EN 837-1
- Safety version S3 according to EN 837-1
- Wetted parts: Stainless steel
- Option: Liquid-filled for applications with pulsations or vibrations
- Option: IP67 with internal compensation membrane



Picture similar



## Technical data

### Housing

Nominal size	115 mm
Case material	Stainless steel 1.4404 / AISI 316L
Bezel ring material	Stainless steel 1.4404 / AISI 316L
Window material	Laminated safety glass
Window gasket	Elastomer
Protection rating (EN 60529)	IP65 IP67 with compensation membrane (0763)
Dial	White, Aluminium
Pointer	Black, Aluminium
Movement material	Stainless steel
Safety according to EN 837-1	S3 Safety pattern gauge with solid front and pressure relief back

### Temperature

Ambient temperature	-20°C ... +70°C
Storage temperature	-40°C ... +70°C
Media temperature	-40°C ... +200°C (not filled)

### Wetted parts

Process connection material	Stainless steel 1.4404 / AISI 316L
-----------------------------	------------------------------------

### Wetted parts

Bourdon tube	Stainless steel 1.4404 / AISI 316L
--------------	------------------------------------

### Performance

Accuracy according to EN 837-1	Class 1
Min. measuring range	0 ... 0.6 bar
Max. measuring range	0 ... 1600 bar
Type of pressure	Gauge Compound Vacuum
Pressure limitation (ranges ≤ 600 bar)	Steady: 100 % of full scale value Fluctuating: 90 % of full scale value Short time: 130 % of full scale value
Pressure limitation (ranges > 600 bar)	Steady: 75 % of full scale value Fluctuating: 65 % of full scale value Short time: 100 % of full scale value

Thermal drift (reference: +20 °C)	± 0.4 % FS/10K
-----------------------------------	----------------

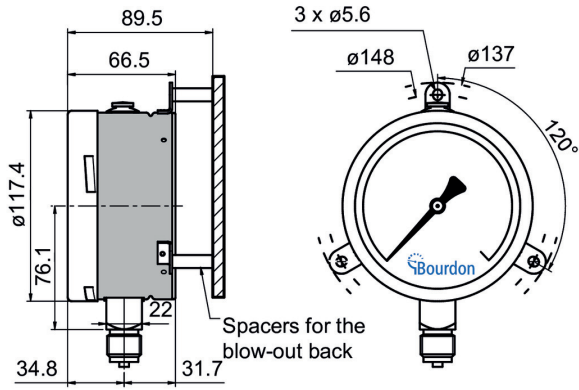
### Weight

Gauge	730 g unfilled 1200 g filled
-------	---------------------------------

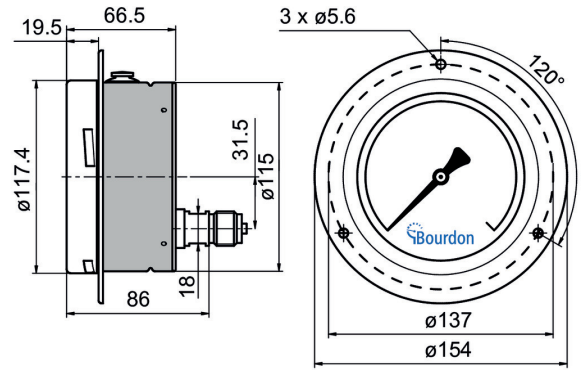
### Approval / Conformities

ATEX	Ex II 2 GDC-IM2c
------	------------------

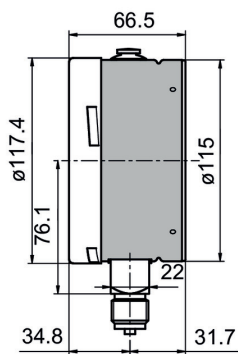
Dimensional drawings (mm)



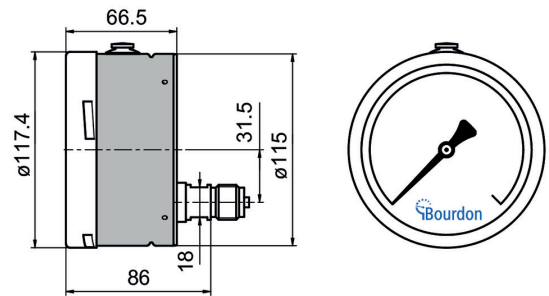
Type 1



Type 2



Type 4



Type 6

### Measuring ranges

Code	Bar	Code	kPa	Code	kg/cm <sup>2</sup>	Code	psi
B58	-0.6 ... 0	D58	-60 ... 0	F58	-0.6 ... 0		
B59	-1 ... 0	D59	-100 ... 0	F59	-1 ... 0	H59	-30" Hg ... 0
B72	-1 ... 0.6	D72	-100 ... 60	F72	-1 ... 0.6	H73	-30" Hg ... 15
B74	-1 ... 1.5	D74	-100 ... 150	F74	-1 ... 1.5	H75	-30" Hg ... 30
B76	-1 ... 3	D76	-100 ... 300	F76	-1 ... 3	H2C	-30" Hg ... 60
B77	-1 ... 5	D77	-100 ... 500	F77	-1 ... 5	H78	-30" Hg ... 100
B79	-1 ... 9	D79	-100 ... 900	F79	-1 ... 9	H79	-30" Hg ... 150
B81	-1 ... 15	D81	-100 ... 1 500	F81	-1 ... 15	H81	-30" Hg ... 220
B82	-1 ... 24	D82	-100 ... 2 400	F82	-1 ... 24	H82	-30" Hg ... 300
B12	0 ... 0.6	D12	0 ... 60	F12	0 ... 0.6	H13	0 ... 10
B15	0 ... 1	D15	0 ... 100	F15	0 ... 1	H15	0 ... 15
B16	0 ... 1.6	D16	0 ... 160	F16	0 ... 1.6	H1C	0 ... 20
B18	0 ... 2.5	D18	0 ... 250	F18	0 ... 2.5	H17	0 ... 30
B19	0 ... 4	D19	0 ... 400	F19	0 ... 4	H19	0 ... 60
B20	0 ... 6	D20	0 ... 600	F20	0 ... 6	H21	0 ... 100
B22	0 ... 10	D22	0 ... 1 000	F22	0 ... 10	H22	0 ... 160
B24	0 ... 16	D24	0 ... 1 600	F24	0 ... 16	H23	0 ... 200
B26	0 ... 25	D26	0 ... 2 500	F26	0 ... 25	H25	0 ... 300
B27	0 ... 40	D27	0 ... 4 000	F27	0 ... 40	H26	0 ... 400
B29	0 ... 60	D29	0 ... 6 000	F29	0 ... 60	H27	0 ... 600
B31	0 ... 100	D31	0 ... 10 000	F31	0 ... 100	H30	0 ... 1 000
B33	0 ... 160	D33	0 ... 16 000	F33	0 ... 160	H31	0 ... 1 500
B35	0 ... 250	D35	0 ... 25 000	F35	0 ... 250	H34	0 ... 3 000
B38	0 ... 400	D38	0 ... 40 000	F38	0 ... 400	H38	0 ... 6 000
B39	0 ... 600	D39	0 ... 60 000	F39	0 ... 600	H40	0 ... 10 000
B41	0 ... 1 000			F41	0 ... 1 000	H41	0 ... 15 000
B42	0 ... 1 600			F42	0 ... 1 600	H1D	0 ... 20 000

### Ordering reference

Ordering key - Configuration possibilities see website

	MEP6	-	#	#	#	.	###
<b>Product</b>	MEP6						
<b>Case</b>							
Case 1.4404 (316L), bottom connection, back fixing for wall mounting				1			
Case 1.4404 (316L), back connection, front flange, 3 holes for panel mounting				2			
Case 1.4404 (316L), bottom connection				4			
Case 1.4404 (316L), back connection				6			
<b>Process connection</b>							
G 1/4						2	
<b>G 1/2</b>						<b>3</b>	
1/4 NPT						5	
<b>1/2 NPT</b>						<b>6</b>	
M20 x 1.5						9	
G 3/8						J	
3/8 NPT						S	
<b>Damping fluid</b>							
<b>without</b>							<b>0</b>
BH1, Glycerin 86 % <sup>(1)</sup>							1
BH2, Glycerin 99 % <sup>(1)</sup>							2
BH3, Silicone oil <sup>(1)</sup>							3
BH4, Silicone oil (for lower temperatures) <sup>(1)</sup>							4
BH5, Fluorinated oil <sup>(1)</sup>							5
<b>Measuring range<sup>(2)</sup></b>							
bar (EN)							Bxx
kPa (EN)							Dxx
kg/cm <sup>2</sup> (EN)							Fxx
psi (ANSI)							Hxx
bar/psi (EN)							Kxx
psi/bar (ANSI)							Sxx
MPa (EN)							Exx
mbar (EN)							Nxx
psi/kPa (ANSI)							Vxx
kPa/psi (EN)							Wxx

(1) Pressure range 0.6 bar: accuracy class 2.5 with BH1, BH3 and BH5, not available with BH2

(2) Available standard measuring ranges, see table in section Measuring ranges. For ranges not listed, please enquire.

### Ordering example

	MEP6	-	6	6	0	.	B22	/
<b>Product</b>	MEP6							
<b>Case</b>								
Case 1.4404 (316L), back connection				6				
<b>Process connection</b>								
1/2 NPT					6			
<b>Damping fluid</b>								
without							0	

### Ordering reference

#### Ordering example

MEP6 - 6 6 0 . B22 /

#### Measuring range

0 ... 10 bar (EN)

B22

### Options

ATEX II2GDc T6-IM2c <sup>(1)</sup>	0078	Solid drawn bourdon tube	0816
Compensation membrane	0763	2.1 Certificate	Q001
Adjustable micrometric pointer <sup>(2)</sup>	0678	2.2 Certificate	Q002
Adjustable friction pointer	0679	3.1 Material certificate	Q003
Polycarbonate (Makrolon) window	0753	3.1 Calibration certificate 5 pts (rising)	Q008
For oxygen applications	0765	3.1 Calibration certificate 5 pts (EN837)	Q009
Restrictor screw 0.5 mm <sup>(3)</sup>	0771	3.1 Calibration certificate 10 pts (EN837)	Q010

(1) Only with laminated safety glass window

(2) P ≥ 1.6 bar

(3) For fittings > 1/4"