

MAT3

Utility pressure gauge



Product highlights

- For non-corrosive gasses and liquids
- Class 2.5 according to EN 837-1
- Wetted parts: Brass
- OEM applications

Technical data

Housing

Nominal size	63 mm
Case material	Black painted, steel
Bezel ring material	Black painted, steel
Window material	Instrument glass
Protection rating (EN 60529)	IP32
Dial	White, aluminium
Pointer	Black, aluminium
Movement material	Brass

Temperature

Media temperature	-20°C ... +60°C
-------------------	-----------------

Wetted parts

Process connection material	Brass
-----------------------------	-------

Wetted parts

Bourdon tube	Copper alloy
--------------	--------------

Performance

Accuracy according to Class 2.5
EN 837-1

Min. measuring range 0 ... 1 bar

Max. measuring range 0 ... 250 bar

Type of pressure

- Gauge
- Vacuum

Pressure limitation

- Steady: 75 % of full scale value
- Fluctuating: 60 % of full scale value
- Short time: 100 % of full scale value

Temperature coefficient at +20°C

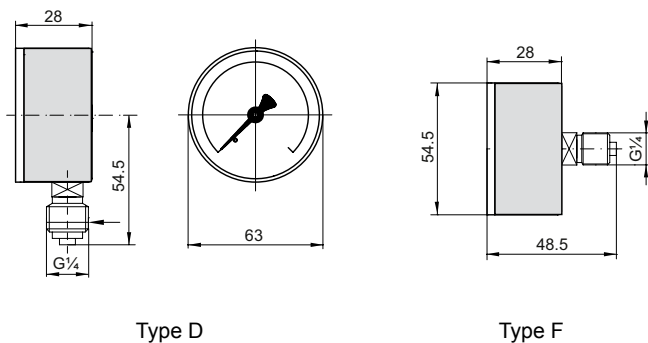
± 0.4 % FS/10K

Weight

Gauge

- 120 g for type D
- 131 g for type F

Technical drawings



Type D

Type F

Ordering reference

Order key

Product MAT Utility pressure gauge	MAT	3	-	D	2	0	.	Bxx
Dimension Nominal size 63 mm		3						
Case Bottom connection				D				
Back connection				F				
Process connection G 1/4					2			
Damping fluid Without damping fluid						0		
Measuring range bar (EN)								Bxx

Pressure ranges

Code	Bar
B59	-1 ... 0
B15	0 ... 1
B16	0 ... 1.6
B18	0 ... 2.5
B19	0 ... 4
B20	0 ... 6
B22	0 ... 10
B24	0 ... 16
B26	0 ... 25
B27	0 ... 40
B29	0 ... 60
B31	0 ... 100
B33	0 ... 160
B35	0 ... 250

Ordering example

Product MAT Utility pressure gauge	MAT	3	-	D	2	0	.	B22	/
Dimension Nominal size 63 mm									
Case Bottom connection									
Process connection G 1/4									
Damping fluid Without damping fluid									
Measuring range 0...10 bar (EN)									