



### Main Features

- Wide range of threaded process connections
- Internal welded diaphragm
- Lower part exchangeable
- Option : exotic materials for wetted parts
- Option : with cleaning ring

### Applications

- Oil & Gas / Chemical
- Water & Waste water
- Energy
- Transportation & Logistics
- Machinery

### Technical Data

This universal chemical seals with threaded process connection are used to protect pressure gauges from high temperatures, aggressive, crystalizing or corrosive fluids.

Chemical seals can be mounted to mechanical pressure gauges, switches or transmitters directly or with a flexible capillary.

The filling fluid of the measuring system has to be chosen compatible to the application.

A wide choice of materials for the wetted parts allow the user to adapt the seal to many different applications and process fluids.

The lower part of the product family DT can be exchanged very easy without new calibration of the filled system.

This allows the user to adapt the system to different process connections.

Upper parts alone are supplied with screws and gasket.

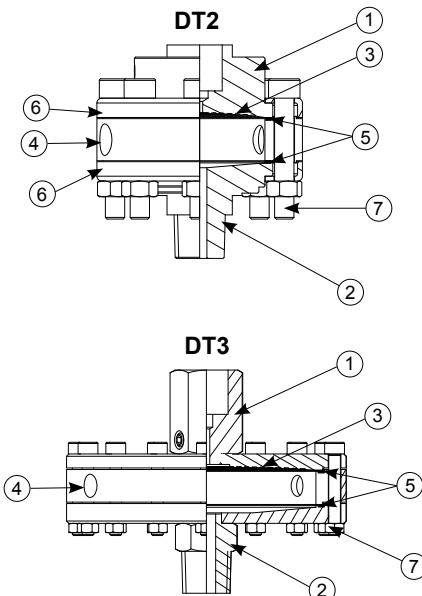
Pressure ranges 0 ... 160 mbar to 0 ... 1000 bar (see ordering details)

Wetted parts Stainless steel 1.4404 (AISI 316L)  
Stainless steel 1.4435 (AISI 316L)  
Option : exotic materials or coatings (see ordering details)

Cleaning ring (option) With 1 flushing port 1/8 NPT female  
Only DT1, DT2, DT3

Gaskets DT1, DT2, DT3 : PTFE (max. 200°C)  
DT5 : stainless steel 1.4404 (max. 200°C)  
DT8 : graphite (max. 400°C)

### Materials



	N°	DT1	DT2	DT3	DT5	DT8
Upper part	①	1.4404 (316L)				
Lower part	②	1.4404 (316L) <sup>1)</sup>				
Diaphragm	③	1.4435 (316L) <sup>1)</sup>				
Cleaning ring	④	1.4404 (316L) <sup>1)</sup>			-	-
Gaskets	⑤	PTFE	PTFE	PTFE	1.4404	Graphite
Fixing flanges <sup>3)</sup>	⑥	1.4301 (304) <sup>2)</sup>		-	Carbon steel	1.4404 (316L)
Bolts/Nuts	⑦	1.4301 (304) <sup>2)</sup>			Carbon steel	1.4404 (316L)

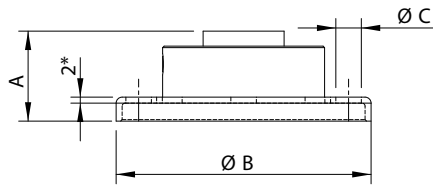
<sup>1)</sup> Others materials see ordering details on page 3

<sup>2)</sup> 1.4404 (316L) with option 1999

<sup>3)</sup> Stamped parts for DT1 and DT2, turned parts for DT5 and DT8

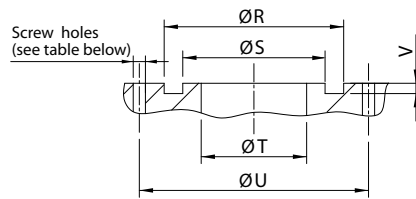
## Dimensions - Types of mounting

### Upper part

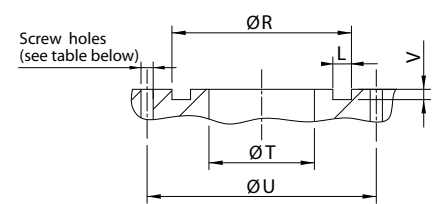


\* Only DT1/DT2

### Dimensions of counter flange



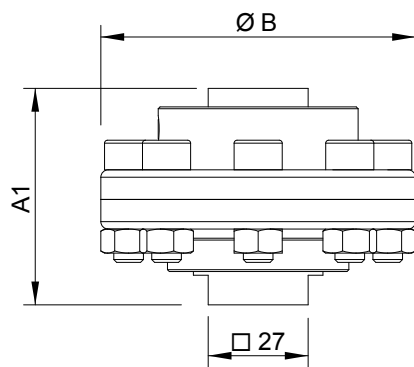
DT1/DT2/DT3/DT5



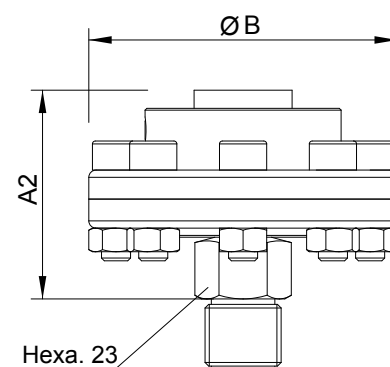
DT8

	Ø B	A	Ø C	Weight kg	Ø R	Ø S 0 / -0.1	L	V	Ø T 0 / -0.2	Ø U ±0.1	Screws	Gaskets
DT1	85	38	10.5	0.460	50.1 -0.05 / +0	46	-	0.6 -0 / +0.1	45	65	8 x M10	49.8 x 45.8 x 1 (PTFE)
DT2	85	30	8.5	0.500	59.1 -0.05 / +0	55	-	0.6 -0 / +0.1	54	70	8 x M8	58.8 x 54.8 x 1 (PTFE)
DT3	120	43	5.5	0.660	101.1 -0 / +0.2	96	-	0.6 -0 / +0.1	94	110	16 x M8	101 x 97 x 1 (PTFE)
DT5	85	43	10.5	0.800	40.1 -0.05 / +0	36	-	0.8 -0 / +0.1	35	65	8 x M10	40 x 36 x 1 (1.4404)
DT8	85	43	10.5	0.790	50.5 -0 / +0.05	-	2.25 -0 / +0.05	2.5 -0.1 / +0	45	65	8 x M10	50.5 x 46 x 3.3 (graphite)

### Upper part + lower part



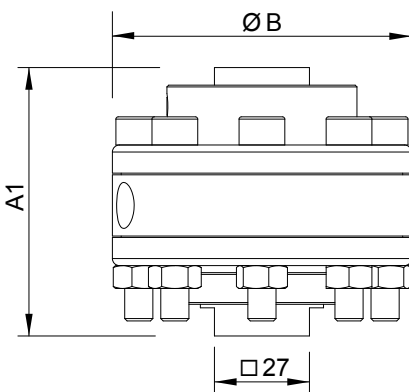
Female process connection



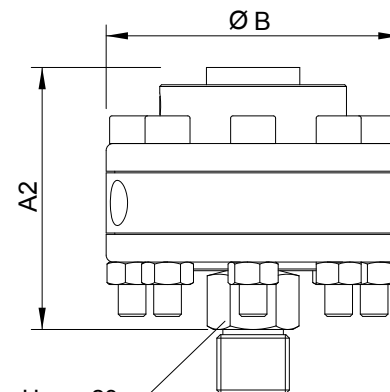
Male process connection

	A1	A2	Ø B	Weight kg
DT1	67	66	85	1.20
DT2	59	58	85	1.10
DT3	73	64	120	1.40
DT5	72	73	85	1.75
DT8	72	73	85	1.70

### Upper part + cleaning ring + lower part



Female process connection



Male process connection

	A1	A2	Ø B	Weight kg
DT1	82	81	85	1.60
DT2	77	76	85	1.60
DT3	88	78	120	1.90

