



Main Features

- Wide range of threaded process connections
- Internal welded diaphragm
- Lower part exchangeable
- Option : exotic materials for wetted parts
- Option : with cleaning ring

Applications

- Oil & Gas / Chemical
- Water & Waste water
- Energy
- Transportation & Logistics
- Machinery

Technical Data

This universal chemical seals with threaded process connection are used to protect pressure gauges from high temperatures, aggressive, crystalizing or corrosive fluids.

Chemical seals can be mounted to mechanical pressure gauges, switches or transmitters directly or with a flexible capillary.

The filling fluid of the measuring system has to be chosen compatible to the application.

A wide choice of materials for the wetted parts allow the user to adapt the seal to many different applications and process fluids.

The lower part of the product family DT can be exchanged very easy without new calibration of the filled system.

This allows the user to adapt the system to different process connections.

Upper parts alone are supplied with screws and gasket.

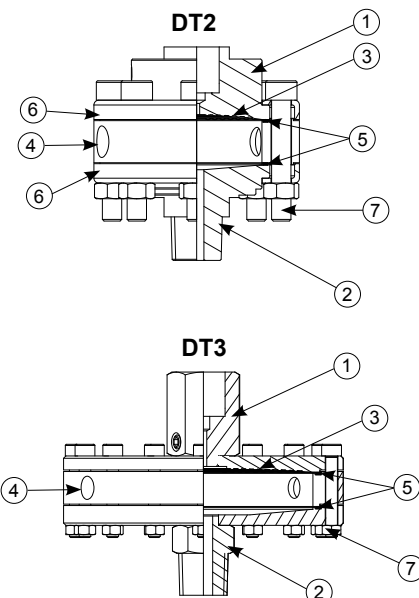
Pressure ranges 0 ... 160 mbar to 0 ... 1000 bar (see ordering details)

Wetted parts Stainless steel 1.4404 (AISI 316L)
Stainless steel 1.4435 (AISI 316L)
Option : exotic materials or coatings (see ordering details)

Cleaning ring (option) With 1 flushing port 1/8 NPT female
Only DT1, DT2, DT3

Gaskets DT1, DT2, DT3 : PTFE (max. 200°C)
DT5 : stainless steel 1.4404 (max. 200°C)
DT8 : graphite (max. 400°C)

Materials



| | N° | DT1 | DT2 | DT3 | DT5 | DT8 |
|------------------------------|----|-----------------------------|------|------|--------------|---------------|
| Upper part | ① | 1.4404 (316L) | | | | |
| Lower part | ② | 1.4404 (316L) ¹⁾ | | | | |
| Diaphragm | ③ | 1.4435 (316L) ¹⁾ | | | | |
| Cleaning ring | ④ | 1.4404 (316L) ¹⁾ | | | - | - |
| Gaskets | ⑤ | PTFE | PTFE | PTFE | 1.4404 | Graphite |
| Fixing flanges ³⁾ | ⑥ | 1.4301 (304) ²⁾ | | - | Carbon steel | 1.4404 (316L) |
| Bolts/Nuts | ⑦ | 1.4301 (304) ²⁾ | | | Carbon steel | 1.4404 (316L) |

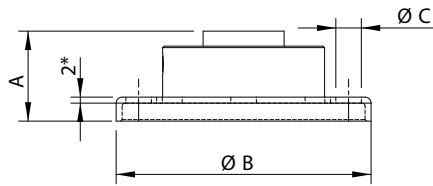
¹⁾ Others materials see ordering details on page 3

²⁾ 1.4404 (316L) with option 1999

³⁾ Stamped parts for DT1 and DT2, turned parts for DT5 and DT8

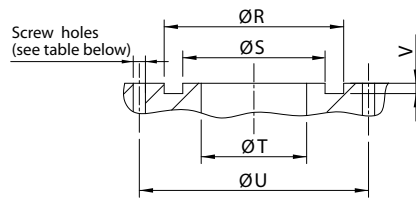
Dimensions - Types of mounting

Upper part

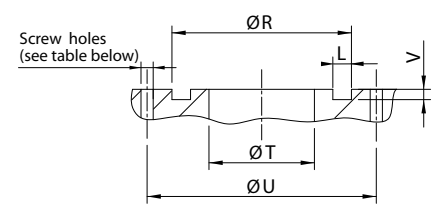


* Only DT1/DT2

Dimensions of counter flange



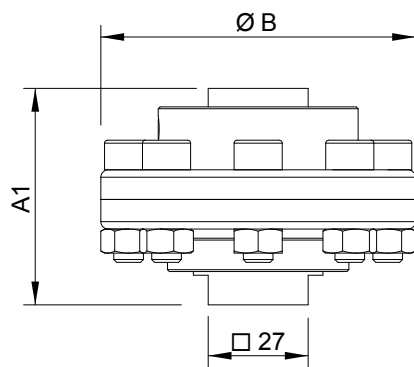
DT1/DT2/DT3/DT5



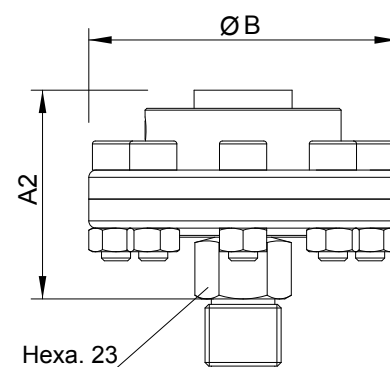
DT8

| | Ø B | A | Ø C | Weight kg | Ø R | Ø S 0 / -0.1 | L | V | Ø T 0 / -0.2 | Ø U ±0.1 | Screws | Gaskets |
|-----|-----|----|------|-----------|-----------------|-----------------|-----------------|---------------|-----------------|-------------|---------|----------------------------|
| DT1 | 85 | 38 | 10.5 | 0.460 | 50.1 -0.05 / +0 | 46 | - | 0.6 -0 / +0.1 | 45 | 65 | 8 x M10 | 49.8 x 45.8 x 1 (PTFE) |
| DT2 | 85 | 30 | 8.5 | 0.500 | 59.1 -0.05 / +0 | 55 | - | 0.6 -0 / +0.1 | 54 | 70 | 8 x M8 | 58.8 x 54.8 x 1 (PTFE) |
| DT3 | 120 | 43 | 5.5 | 0.660 | 101.1 -0 / +0.2 | 96 | - | 0.6 -0 / +0.1 | 94 | 110 | 16 x M8 | 101 x 97 x 1 (PTFE) |
| DT5 | 85 | 43 | 10.5 | 0.800 | 40.1 -0.05 / +0 | 36 | - | 0.8 -0 / +0.1 | 35 | 65 | 8 x M10 | 40 x 36 x 1 (1.4404) |
| DT8 | 85 | 43 | 10.5 | 0.790 | 50.5 -0 / +0.05 | - | 2.25 -0 / +0.05 | 2.5 -0.1 / +0 | 45 | 65 | 8 x M10 | 50.5 x 46 x 3.3 (graphite) |

Upper part + lower part



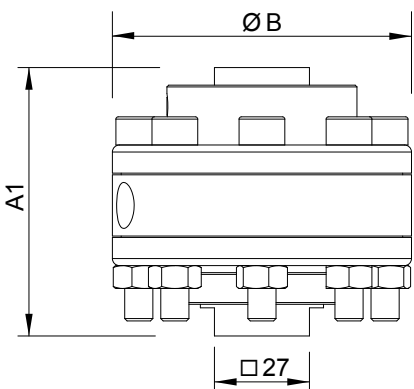
Female process connection



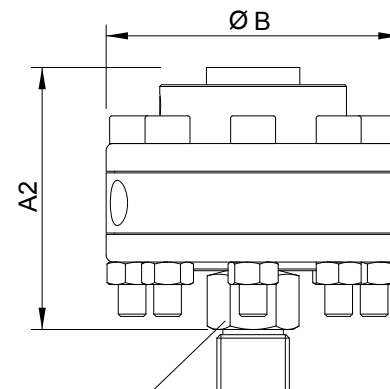
Male process connection

| | A1 | A2 | Ø B | Weight kg |
|-----|----|----|-----|-----------|
| DT1 | 67 | 66 | 85 | 1.20 |
| DT2 | 59 | 58 | 85 | 1.10 |
| DT3 | 73 | 64 | 120 | 1.40 |
| DT5 | 72 | 73 | 85 | 1.75 |
| DT8 | 72 | 73 | 85 | 1.70 |

Upper part + cleaning ring + lower part



Female process connection



Male process connection

| | A1 | A2 | Ø B | Weight kg |
|-----|----|----|-----|-----------|
| DT1 | 82 | 81 | 85 | 1.60 |
| DT2 | 77 | 76 | 85 | 1.60 |
| DT3 | 88 | 78 | 120 | 1.90 |

