



### Main Features

- Pressure range from 10 mbar to 100 bar
- Temperature -40 °C to +400 °C
- Stainless steel 1.4404 NACE
- Pressure, level or flow measurement
- Optimized for assembly with transmitters.

### Applications

- Oil & Gas / Chemical
- Water / Waste water
- Energy
- Process technic

### Technical Data

Measurement ranges	Gauge or differential pressure: 10 mbar min. Absolute pressure: 50 mbar min.
Temperature	-40 °C ... +400 °C
Filling liquids	Special high temperature or vacuum
Capillary	1.5 to 15 m
Connection	Specifically designed for process flanges of the D9x1 and D9x2 series of diaphragm seals
Maximum pressure	In compliance with the pressure/temperature rating of flange class 600, EN 1759-1 for stainless steel 1.4404

### Material

Flange	Hot-rolled 1.4404 stainless steel EN10088-3 Compliant with NACE MR 0103 or MR 0175
Diaphragm	Stainless steel (1.4435) or Hastelloy C276 (2.4819) Active diameter 95 mm
Sealing joint	Graphite (included in delivery)
Screws	8 screws, M10 x 35, Stainless steel A4-80 (included in delivery)
Capillary	Length 1.5 - 3 - 4.5 - 6 - 9 - 12 and 15 meters Stainless steel capillary tube and protection White plastic outer sheath UL94V0
Filling liquid	LRS4: -20...60 °C (for oxygen) LRS8: 0...300 °C (for vacuum and absolute pressure) LRS9: -40...400 °C (high temperature oil) Other liquids on request

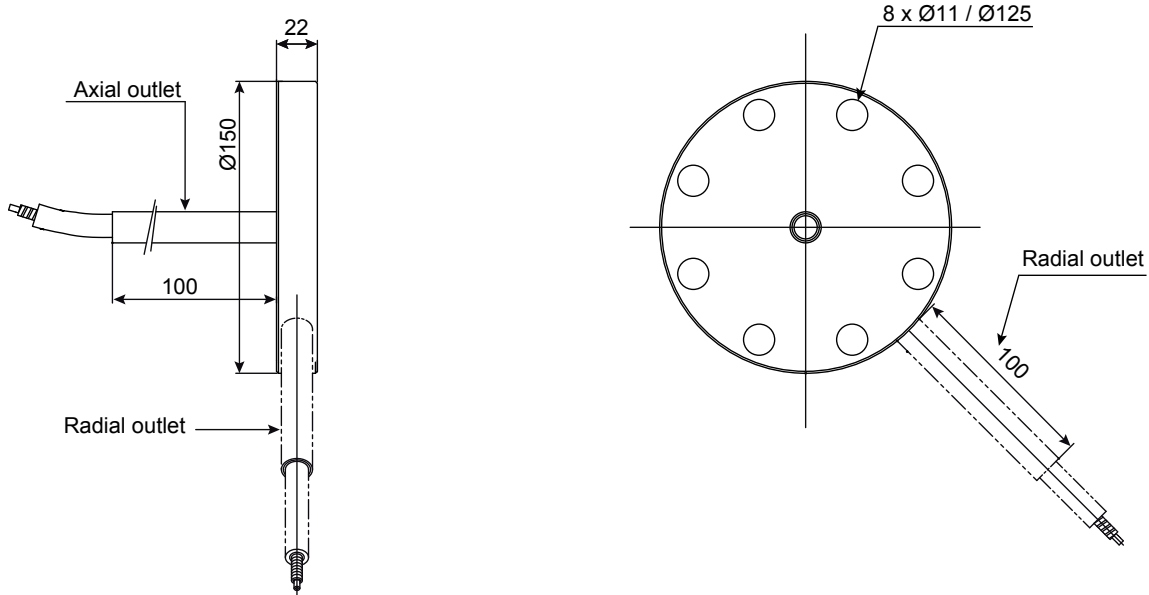
### CE conformity

PED 97/23/CE	Article 3.3
ATEX 94/9/CE	Ex II 2 GD c (the associated transmitter must comply with the ATEX zone where it is used).

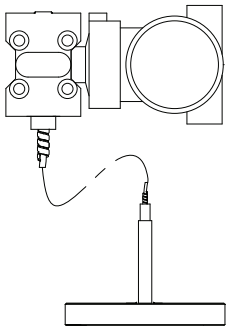
### Options

	<ul style="list-style-type: none"> <li>• 0393 mounting on high pressure side (HP) <sup>1)</sup></li> <li>• 0385 mounting on low pressure side (LP) <sup>1)</sup></li> </ul> <p><sup>1)</sup> Only for differential transmitters with :</p> <ul style="list-style-type: none"> <li>- only 1 seal mounted</li> <li>- 2 different seals mounted on LP and HP side</li> </ul>
Capillary	<ul style="list-style-type: none"> <li>• Capillary with low-temperature controlled electric heat tracing</li> <li>• Decrease in effects of outside temperature : at -40 °C capillary tube temperature over +30 °C at +40 °C capillary tube temperature below +60 °C</li> <li>• Approx. Ø 25 mm heat insulation</li> <li>• Sealed outer sheath</li> </ul>
Oxygen application	Option 0765 (filling oil LRS4 imperative)

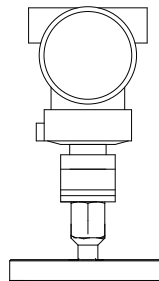
## Dimensions (mm)



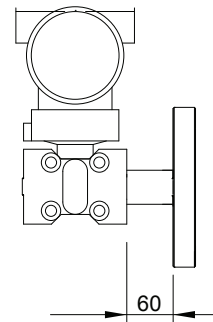
## Types of mounting



Mounting with capillary  
Fig.1



Direct mounting with thread  
Fig.2



Direct welded mounting  
Fig.3

## Ordering details D910

	D910	-			.		.	
<b>Model</b>	D910	-			.		.	
Diaphragm seal for process flanges								
<b>Flange material</b>								
Hot-rolled NACE compliant 1.4404 stainless steel EN10088-3								L
Forged NACE compliant 1.4404 st. steel								M
<b>Capillary type</b>								
Direct mounting (see Fig. 2 and 3 page 2)								1
St. steel tube and protection								A
St. steel tube and protection and white plastic ATEX sheath								D
St. steel tube and reinforced protection								F
St. steel tube and protection, heat-insulated								M
St. steel tube and protection, traced/heat-insulated								P
<b>Outlet position</b>								
Axial outlet								0
Side outlet <sup>(1)</sup>								1
<b>Capillary length</b>								
Without (direct mounting)								0
1.5 m								E
3 m								3
4.5 m								F
6 m								6
9 m								9
12 m								D
15 m								G
<b>Instrument connection <sup>(2)</sup></b>								
G1/2 Female (Except Fig. 3)								L
1/2NPT Female (Except Fig. 3)								N
For ABB 265 DR (D)								H
For ABB 265 GR - 265 VS (G)								J
For Honeywell STD 1xx and 9xx (D)								A
For Honeywell STG 944 and 974 (G)								D
For Honeywell STG 140, 170 and 180 (G)								E
For Honeywell STA 140 and 940 (A)								G
For SIEMENS SITRANS differential (D)								7
For SIEMENS SITRANS Gauge/Absolute (G/A)								8
For YOKOGAWA EJX110 (low volumes) capsules M, H, V (D)								F
For YOKOGAWA EJX430 (low volumes) (G)								V
For YOKOGAWA EJX110 (standard flanges) capsules M, H, V (D)								P
For YOKOGAWA EJX 310/430 (standard flanges) (A) (G)								Q
For YOKOGAWA EJX 440 (standard flanges) (G)								W
<b>Filling liquids</b>								
LRS4 (for Oxygen) <sup>(3)</sup>								4
LRS8 (vacuum oil)								8
LRS9 (high temperature oil)								9
<b>Diaphragm material</b>								
St. steel 316L (1.4435)								2
Hastelloy C276 (2.4819)								6
St. steel 316L (1.4435) (P < 25 mbar)								C
Hastelloy C276 (2.4819) (P < 25 mbar)								D
<b>Diaphragm coating</b>								
No coating								0
Gold 15 µm								7

<sup>(1)</sup> Not for direct mounting

<sup>(2)</sup> Type of transmitter : D=Differential / G=Gauge / A=Absolute

<sup>(3)</sup> LRS4 must be used for option "oxygen cleanliness"