



### Main Features

- Pressure range from 160 mbar to 400 bar
- Diaphragm in specific materials
- Temperature -40 °C ... 400 °C
- Class 150 to 2500
- NPS 2" to 4"
- PN10 to PN100
- DN50 to DN100

### Applications

- Oil & Gas / Chemical
- Water / Waste water
- Energy
- Process technic

### Technical Data

This diaphragm seals with flanged process connection and specific materials are used to protect pressure gauges from high temperatures, aggressive or corrosive fluids.

The diaphragm seals allows direct mounting on standardized flange connections of pipes or tanks. With the flush diaphragm these seals are used especially for fluids with high viscosity or a tendency to crystallize.

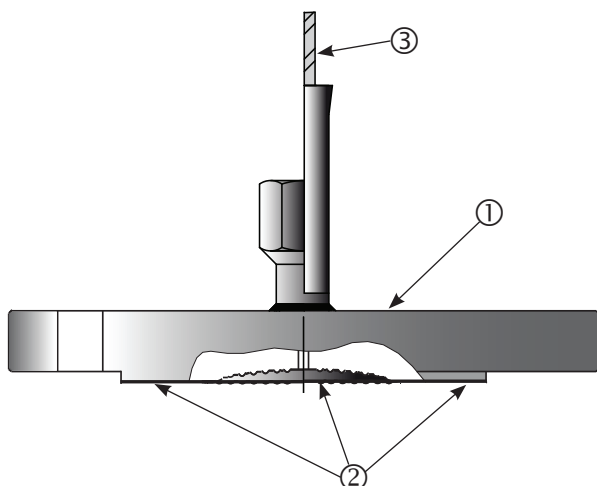
A wide range of material allows the user to adapt the diaphragm seal to many different type of application and process fluids.

The wetted part are made of exotic material welded on a stainless steel flange. The flange finish is then equivalent to smooth finish. The diaphragm covers the total surface of the flange face.

The filling fluid of the measuring system has to be chosen compatible to the application.

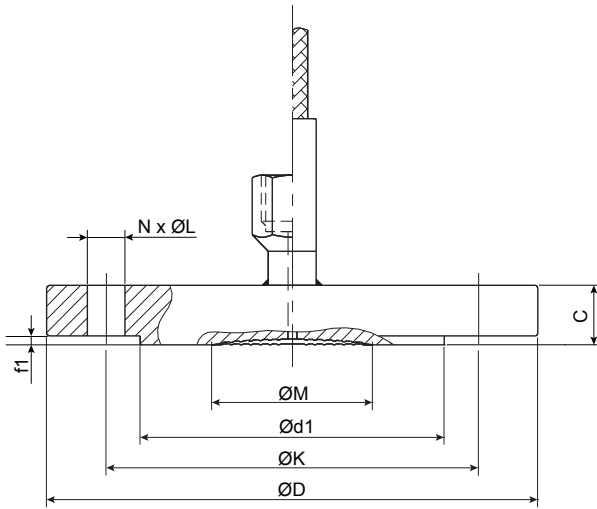
Min.pressure ranges	See table on page 2
Temperature	-40 °C ... +400 °C
Filling liquids	LRS1: -15 °C ... +150 °C LRS9: -40 °C ... +400 °C high temperature oil Other liquids on request
Mounting	Direct or remote from 1.5 to 12 meters
Flange types	<b>ASME B16.5 / EN1759-1:</b> class 150 to 2500, NPS 2" to 4". <b>EN1092-1:</b> PN 10 to 100, DN 50 to 100. Available flange faces see table on page 3. Other flange types on request.
Flange face finish	Smooth finish Ra < 0.4
Diaphragm	Hastelloy B2, Hastelloy C276, Hastelloy C4, Tantalum. (covers the total flange face)
Maximum pressure	According to the PN or the class of the flange and its standardized pressure temperature relation

### Materials



	N°	D824
Flange	①	• Stainless steel 1.4404
Diaphragm (wetted surface)	②	• Hastelloy B2 (2.4617) • Hastelloy C276 (2.4819) • Hastelloy C4 (2.4610) • Tantalum
Capillary (option)	③	• Stainless steel

### Dimensions (mm)



### Minimum pressure ranges depending on the active diaphragm diameter Ø M <sup>(1)</sup>

Ø M <sup>(2)</sup> (mm)	DN63		DN100/150/160	
	Gauge	Compound	Gauge	Compound
54	0 ... 1 bar	-1 ... 3 bar	0 ... 1 bar	-1 ... 3 bar
89	0 ... 1 bar	-1 ... 0 bar	0 ... 0.16 bar	-1 ... 0 bar
95	0 ... 1 bar	-1 ... 0 bar	0 ... 0.16 bar	-1 ... 0 bar

<sup>(1)</sup> Fluid temperature -20 ... 100 °C, ambient temperature -10 ... 50 °C, others on request

<sup>(2)</sup> Ø M according to dimension tables below.

### Flange dimensions (mm) ANSI B16-5 / EN 1759-1

DN	Class	Ø D	Ø K	Ø L	N	EN1759-1		ANSI B16-5		Ø d1 <sup>(1)</sup>	Ø M in mm <sup>(2)</sup>	Weight in kg
						C <sup>(1)</sup>	f1 <sup>(1)</sup>	C <sup>(1)</sup>	f1 <sup>(1)</sup>			
2"	150	152	120.6	19	4	19	1.6	19.5	2	92.1	54	2.4
	300	165	127	19	8	22.2	1.6	22.7	2	92.1	54	3.2
	600	165	127	19	8	31.8	6.4	32.4	7	92.1	54	4.2
	900/1500	216	165.1	25.4	8	44.5	6.4	45.1	7	92.1	54	10.1
	2500	235	171.5	28.5	8	57.2	6.4	57.9	7	92.1	54	15.6
3"	150	190	152.4	19	4	23.8	1.6	24.3	2	127	89	5
	300	210	168.3	22.2	8	28.6	1.6	29	2	127	89	6.9
	600	210	168.3	22.2	8	38.2	6.4	38.8	7	127	89	8.5
	900	241	190.5	25.4	8	44.5	6.4	45.1	7	127	89	13.1
	1500	267	203.2	31.8	8	54	6.4	54.7	7	127	89	19.2
4"	150	229	190.5	19	8	23.8	1.6	24.3	2	157.2	95	7.1
	300	254	200	22.2	8	31.8	1.6	32.2	2	157.2	95	11.6
	600	273	215.9	25.4	8	44.5	6.4	45.1	7	157.2	95	17.3
	900	292	235	31.8	8	50.8	6.4	51.5	7	157.2	95	22.1

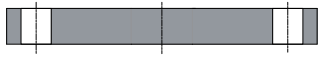
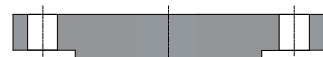

### Flange dimensions (mm) EN 1092-1

DN	PN	Ø D	C <sup>(1)</sup>	Ø K	Ø L	N	f1 <sup>(1)</sup>	Ø d1 <sup>(1)</sup>	Ø M in mm <sup>(2)</sup>	Weight in kg
50	10/40	165	20	125	18	4	3	102	54	2.9
	63	180	26	135	22	4	3	102	54	4.6
	100	195	28	145	26	4	3	102	54	5.7
80	10/16	200	20	160	18	8	3	138	89	4.6
	25/40	200	24	160	18	8	3	138	89	5.6
	63	215	28	170	22	8	3	138	89	6.9
	100	230	32	180	26	8	3	138	89	8.9
100	10/16	220	20	180	18	8	3	158	95	5.7
	25/40	235	24	190	22	8	3	162	95	7.6
	63	250	30	200	26	8	3	162	95	10
	100	265	36	210	30	8	3	162	95	13.3

<sup>(1)</sup> For raised faces, codes B, G, R.

<sup>(2)</sup> Active diameter.

### Ordering codes for flange faces

Face Type	Drawing	ANSI B16-5		EN 1759-1		EN 1092-1	
			Codes		Codes		Codes
Flat face		Flat face Ra ≤ 0.4 µm	A	Type A Ra ≤ 0.4 µm	A	Type A Ra ≤ 0.4 µm	A
Raised face		Raised face (2) <sup>(1)</sup> Raised face (7) <sup>(2)</sup> Ra ≤ 0.4 µm	G R	Type B (1.6) <sup>(1)</sup> Type B (6.4) <sup>(2)</sup> Ra ≤ 0.4 µm	G R	Type B1 Ra ≤ 0.4 µm	B
Male Spigot		Male spigot large Ra ≤ 0.4 µm	M	Type E Ra ≤ 0.4 µm	M	N/A	N/A

<sup>(1)</sup> Class 150 and 300

<sup>(2)</sup> Class 600, 900, 1500, 2500

### Pre-selection guide for diaphragm seals with flange connection

Flange face	Codes	Stainless steel	Hastelloy B2	Hastelloy C276	Hastelloy C4	Tantalum	Monel 400	Uranus B6	Titanium
Flat face	A	D820	D820/D824	D820/D824	D820/D824	D824	D825	D820 D825	D825
Raised face	B, G, R	D820/D821		D820/D821/D824					
Male tongue	C, H, I	D820	D820 D825	D820 D825	D820 D825	n/a	D825	D820 D825	D825
Female groove	D, K, L								
Male spigot	E, M, N								
Female spigot	F, O, P								
Ring joint face	Q								

Remark: For a complete overview of all above mentioned flange faces see datasheet D820

Designation	Flush diaphragm	DN		Remark
		Min.	Max.	
D820	Yes	25	100	Only diaphragm in specific material, flange always stainless steel
D821	No	15	25	All wetted parts in specific materials
D824	Yes	50	100	All wetted parts in specific materials
D825	Yes	50	80	All wetted parts in specific materials

### Ordering details D824

D824		-			.	2		.		
<b>Model</b>		Flanged diaphragm seal with specific materials								
D824		-								
<b>Mounting</b>										
Direct mounting	1									
St. steel capillary with St. steel protection	A									
St. steel capillary with St. steel protection and PVC sheath	B									
St. steel capillary with reinforced St. steel protection	C									
<b>For special capillary Ø 2.5 mm (seals mounted on MX, MZ, RP, RD)</b>										
St. steel capillary Ø 2.5 with St. steel protection	G									
St. steel capillary Ø 2.5 with St. steel protection and PVC sheath	H									
St. steel capillary Ø 2.5 with reinforced St. steel protection	J									
<b>Capillary length</b>										
Without (direct mounting)	0									
1.5 m	E									
3 m	3									
4.5 m	F									
6 m	6									
9 m	9									
12 m	D									
<b>Instrument connection</b>										
G1/2 female	L									
G1/4 female	H									
1/2 NPT female	N									
1/4 NPT female	8									
1/4 NPT male (only with capillary)	5									
1/2 NPT male (only with capillary)	6									
<b>Flange standard</b>										
ANSI B16-5	2									
EN 1092-1	4									
EN 1759-1	6									
<b>Flange material</b>										
St. steel 316L (1.4404)	2									
<b>PN</b>										
<b>ANSI B16-5 / EN 1759-1</b>										
Class 150	1									
Class 300	2									
Class 600	3									
Class 900	4									
Class 1500	5									
Class 2500	6									
<b>EN 1092-1</b>										
PN10	C									
PN16	D									
PN25	F									
PN40	G									
PN63	N									
PN100	J									
<b>Diaphragm coating</b>										
0	Without									
1	PTFE 0.02 mm									
4	HALAR 0.2 mm									
<b>Diaphragm material</b>										
5	Hastelloy B2 (2.4617)									
6	Hastelloy C276 (2.4819)									
7	Tantalum									
A	Hastelloy C4 (2.4610)									
<b>Flange face type</b>										
x	See table page 3 (codes)									
<b>DN</b>										
<b>ANSI B16-5 / EN 1759-1</b>										
7	2"									
9	3"									
V	4"									
<b>EN 1092-1</b>										
H	50									
K	80									
L	100									