

### Main Features

- Improves readability of pressure gauges
- Reduces the effect of pulsations
- Max. 600 bar
- Max. 250 °C
- Option: NACE conform

### Applications

- Oil & Gas / Chemical
- Water & Waste water
- Energy
- Machinery

### Description

Pulsation dampeners are used to protect pressure measurement instruments from ram effects and fluid pulses. They can be adjusted even during use.

In use, the ARA 06 has a greater operating adjustment range and can be used with manometers as well as with transmitters. Further, the ARA 06 is suitable for higher pressure and temperature ranges.

The ARA 10 must be screwed down fully then slightly unscrewed (1/8 turn maximum) to adjust the damping. Its adjustment range is thus smaller than that of the ARA 06. It cannot be used with transducers.

### Technical data

	ARA 10			ARA 06
	Brass	Steel	Stainless steel	Stainless steel
<b>Body</b>	Brass	Carbon steel	1.4571	1.4404
<b>Valve stem</b>	1.4404			1.4404
<b>Gasket</b>	NBR		FKM	NBR + PTFE
<b>Screw plug</b>	Brass	Unalloyed steel	1.4571	1.4404
<b>Max. pressure</b>	250 bar <sup>(1)</sup>	400 bar	400 bar	600 (400) bar
<b>Max. temperature</b>	120 °C	120 °C	120 °C	120 (250) °C

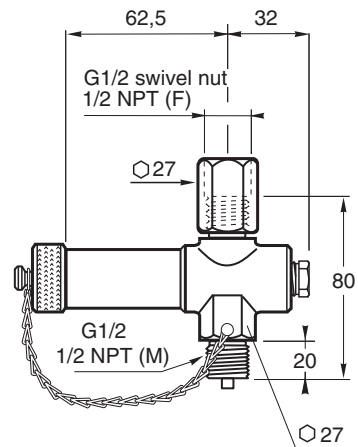
<sup>(1)</sup> 400 bar with G 1/2

### Options

Compliant with NACE MR0175 and MR0103	Code 0073
Degreased for oxygen applications	Code 0765
Material certificate 3.1	Code Q003

## Ordering details ARA 06

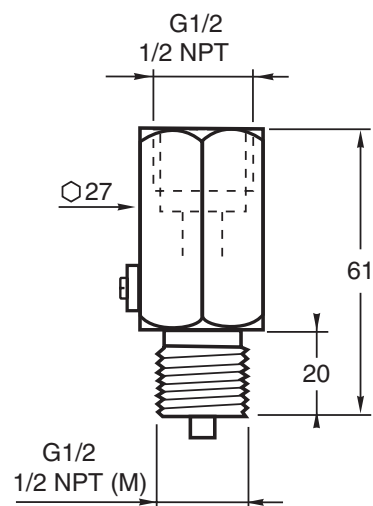
			-	06	.				
<b>Model</b>	Pulsation dampener								
	ARA								
<b>Type</b>	High pressure / high temperature version								
	06								
<b>Material</b>	Stainless Steel								
	E								
<b>Process connection</b>	G 1/2								
	3								
	1/2 NPT								
	6								
<b>Instrument connection</b>	1/2 NPT female								
	ON								
	G1/2 swivel-nut								
	F5								



Weight 0,760 kg

## Ordering details ARA 10

			-	10	.				
<b>Model</b>	Pulsation dampener								
	ARA								
<b>Type</b>	Standard version								
	10								
<b>Material</b>	Stainless Steel								
	D								
	Polished steel								
	A								
	Brass								
	L								
<b>Process connection</b>	G 1/2								
	3								
	1/2 NPT								
	6								
<b>Instrument connection</b>	G 1/2 female								
	OL								
	1/2 NPT female								
	ON								



Weight 0,200 kg